



CB500-SA

CAN/BOTTLE VENDOR



A113-20

MODEL
3189 (115V)
3189A (230V)

PARTS MANUAL

TABLE OF CONTENTS

ORDER INFORMATION	1
Minimum Order.....	1
Payment	1
To Order by Mail.....	1
To Order by Fax	2
To Order by Phone.....	2
Returns.....	2
Limitation of Liability.....	2
MAIN ASSEMBLY (3189 & 3189A)	3
CABINET PARTS (3189 & 3189A)	5
Vend Rack Assembly (3189 & 3189A).....	7
Vend Mech Assembly (3189 & 3189A)	8
Product Retainer Assembly (3189 & 3189A)	9
Hopper Assembly (3189 & 3189A).....	9
Cabinet Foam Assembly (3189 & 3189A).....	10
115V Common Refer 1/3 Hp (3189 only).....	11
Refer Solder Assembly (3189 & 3189A)	12
Refer Base Assembly (TEC) (3189 & 3189a)	13
Evap Card Assembly (3189 Only).....	14
Evaporator Fan Assembly (3189 & 3189A).....	15
Electrical Box Assembly (3189 & 3189A).....	16
DOOR PARTS (3189 & 3189A).....	17
Inner Door Parts (3189 & 3189A).....	19
Lamp Assembly Inner Door (3189 & 3189A)	20
Terminated Ballast Assembly (3189 & 3189A)	20
Product Display Assembly (3189 & 3189A)	21
Product Door Rivet Assembly (3189 & 3189A)	22
Keypad Assembly (3189 & 3189A)	23
Validator (3189 only)	23
Wittern logo Insert (3189A only).....	24
SERVICE PACKAGE (3189 & 3189A).....	25

ORDER INFORMATION

You may order parts from your distributor or from VendNet™. If you have any questions when placing your order, please call and we'll be happy to assist you. Please provide the following information when placing your order:

- Quantity Required
- Part Number
- Description of part

NOTE:

When "Right" and "Left" are used with a part name, it is taken to mean that the person is facing the machine with the door closed.

- Vendor Model Number
- Vendor Serial Number
- Shipping and Billing Address
- Preferred Method of Shipment
- Customer Account Number

MINIMUM ORDER

You may wish to inquire on prices of parts and minimum order amount at the time of your order. If you order less than the minimum, please check our catalog for other parts you may require to bring your order up to the minimum amount.

VendNet™ reserves the right to change these requirements without notice.

PAYMENT

OPEN ACCOUNT with approved credit. MASTER CARD – VISA – DISCOVER – C.O.D.

TO ORDER BY MAIL

You may mail your order for replacement parts by providing the necessary information as requested above to:

VendNet™
165 North 10th Street
Waukee, Iowa 50263-0488
USA

Order forms are available upon request or you may use your own purchase order form.

TO ORDER BY FAX

You may Fax your order for replacement parts by providing the necessary information as requested above to:

VendNet™.
1-515-987-4447

TO ORDER BY PHONE

You may call in your order for replacement parts by providing the necessary information as requested above to VendNet™ Parts Department.

USA|1-888-259-9965

Canada|1-800-858-4730

Other locations|1-515-274-3641

RETURNS

RESTOCKING CHARGE 20%. A restocking charge of 20% will apply to merchandise accepted by VendNet™ for return, except items processed as warranty.

A Return Form clearly stating the reason for return must accompany all items returned. Returns are to be shipped freight prepaid to VendNet™, 165 North 10th Street, Waukee, Iowa 50263-0488. (Return Forms are available upon request from VendNet™)

LIMITATION OF LIABILITY

VendNet™ shall not be liable for any injury, loss or damage, whether direct, incidental or consequential arising out of the use of or the inability to use any part, parts or products sold by VendNet™. The remedies of the buyer set forth herein are exclusive, and the liability of VendNet™. With respect to any contract or sale or anything done in connection herewith, whether in contract, in tort, under any warranty, or otherwise, shall not, except as expressly provided herein, exceed the price of the part, parts or products on which such liability is based. Any statements or representations about the parts or product, other than those contained herein, do not constitute warranties and shall not be relied on by the buyer and shall have no force of effect unless contained in a written agreement signed by officers of VendNet™.

If you have any questions, check out our Website

<http://www.vendnetusa.com>

or please call VendNet™.

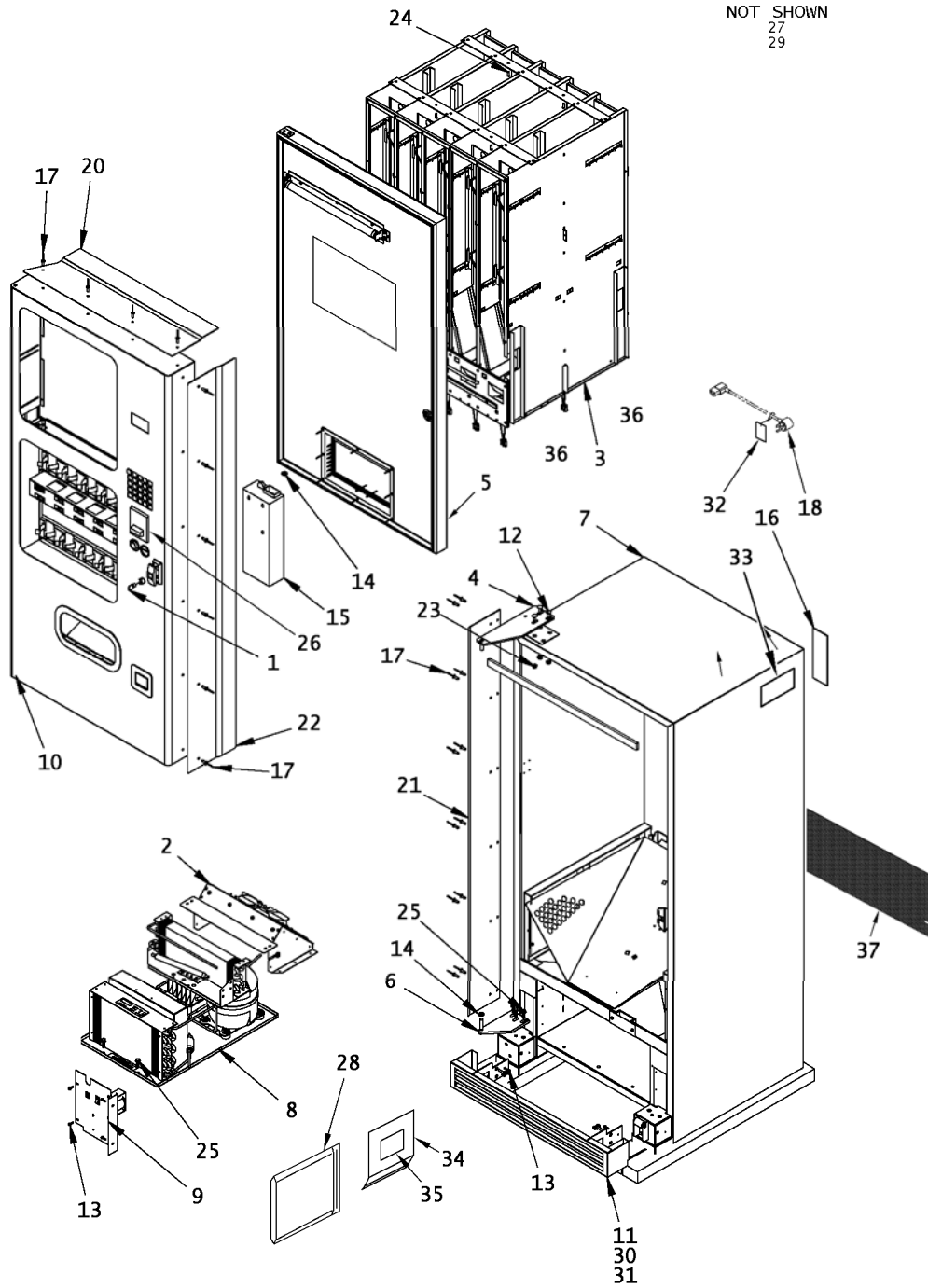
Ask for the Parts Department.

We will be happy to assist you.

E-Mail: VendNet@vendnetusa.com

MAIN ASSEMBLY (3189 & 3189A)

NOT SHOWN
27
29

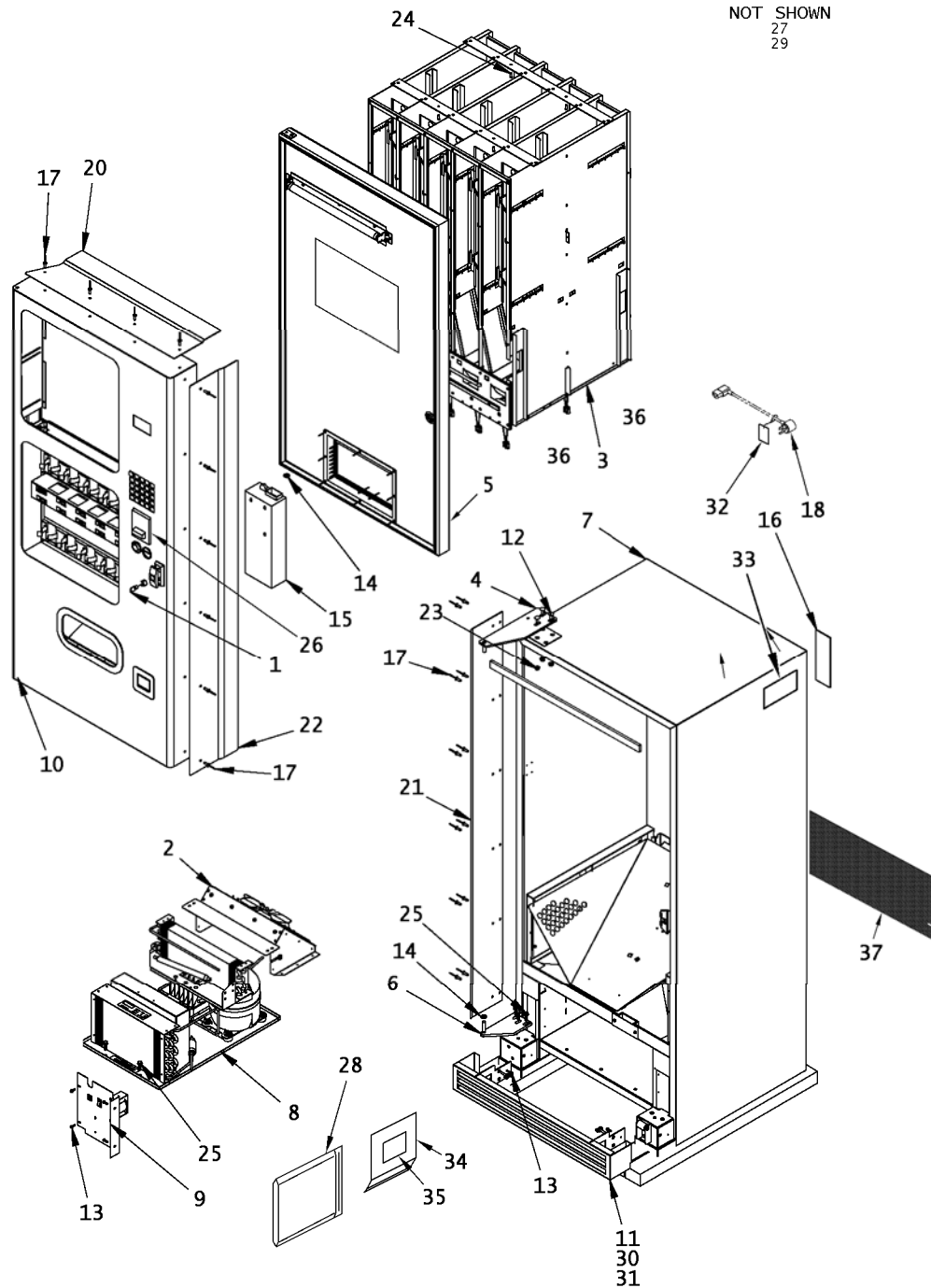


A11354B

MAIN ASSEMBLY

ITEM	PART NUMBER	3189	3189A	DESCRIPTION
				CB500-SA, Water Ice, Wrinkle Black
1	1212652	1	1	Lock Cylinder (with 2 Keys)
2	See page 15	1	1	Evaporator Fan Assembly
3	See page 7	1	1	Vend Rack Assembly, CB500
4	1215486.000330	1	1	Top Hinge Pin Stake, Wrinkle Black
5	See page 19	1	1	Inner Door Parts
6	1216318.000330	1	1	Bottom Hinge Pin Stake, Wrinkle Black
7	See page 5	1	1	Cabinet Parts, CB500
8	See page 11	1	-	115V Common Refrigeration 1/3HP
9	See page 16	1	1	Electrical Box Assembly
10	See page 17	1	1	Door Parts, CB500-SA
11	1216358.000330	1	1	Kick Panel Weld, Wrinkle Black
12	4050099	3	3	Carriage Bolt, 5/16-18 x 3/4
13	4050202	6	6	Screw, 8-18x1/2 Phillips Hex Washer Head Tek
14	4050767	2	2	Washer, 3/8 Flat Nylon
15	4206699.048	1	-	Coin Mech
16	4205044.257	1	-	Serial Label, CB500 110V (Not For Sale)
	4205044.258	-	1	Serial Label, CB500 220V (Not For Sale)
17	4210421.002	22	22	Rivet, 1/4 Black Alum/Alum
18	4212825	1	-	Power Cord, Domestic 110V
	4212825.003	-	1	Power Cord, 220V
20	4213224.000330	1	1	Anti Cheat Top, Wrinkle Black
21	4213487.000330	1	1	Anti-Cheat Left, Wrinkle Black
22	4213486.000330	1	1	Anti-Cheat Right, Wrinkle Black
23	8810015	3	3	Nut, 5/16-18 Flange Lock (top hinge)
24	8810017	4	4	Screw, 10-16x5/8 Hex Washer Head Tek
25	8801388	2	2	Screw, 5/16-18x3/4 Hex Washer Head
26	See page 23	1	-	Validator
27	1216415	1	1	Common Carton, CB500-SA (not shown)
28	See page 25	1	1	Service Package, CB500 (not shown)
29	4213313	1	1	Build Card, CB500-SA (not shown)
30	4050514	3	3	Wing Nut, 8-32
31	4213424	1	1	Label, Kick Panel Install Instructions
32	4060485	1	1	Tag Wires
33	4200032.000	1	1	Label, Made In USA
34	4211816	1	1	16.9 Oz Water Filler
35	4212174.001	1	1	Label, Filler Installation
36	4211368	1	1	Wire Clip
37	4214023	1	-	Rear Screen

CABINET PARTS (3189 & 3189A)



NOT SHOWN
27
29

A11354B

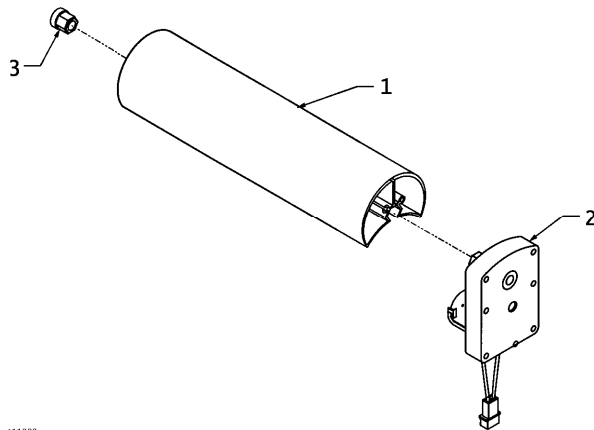
CABINET PARTS

ITEM	PART NUMBER	QTY	DESCRIPTION
	1216323		Cabinet Parts, CB500-SA
1	R.3994	1	Seal, Mastic Permagum (FT)
2	1216147	2	Rack Riser Weld
3	See page 9	1	Hopper Assembly
4	See page 10	1	Cabinet Foam Assembly
5	1216364	1	Air Duct, Galvanized
6	4025410.004	2.91	Tubing, Mayon (FT)
7	4050202	45	Screw, 8-18x1/2 Phillips Hex Washer Head Tek
8	4050608	1	Washer, 1/2 Flat Zinc
9	4050760	1	Nut, 1/2-13 Square with Retainer
10	4050496	1	Nut, 1/4-20 Two Way Lock
11	4202284	1	Push Nut, .500 Stud Dia
12	4209293.001950	1	Tapered Lock Bracket
13	4209337	1	Lock Bracket Back
14	4210568	1	Styro Cover
15	4215492	1	Harness, Evap Fan Extension (not shown)
16	4211023	1	Line Cover
17	1211465.003	1	Harness – 13", Ground Wire (Not Shown)
18	4211504	1	Top Insulation Cover, Galvanized
19	4211896	1	Hopper Mount
20	4212490.001	1	RFI Filter IEC Socket 10amp
21	4212937.016	7	Thread Insert, 1/4-20
22	4213222.000309	1	Roller Bracket, Smooth Black
23	4213333	1	RFI Filter Box
24	4213334.000309	1	Strain Relief Power Cord, Smooth Black
25	4213387	2	Rack Support/Galvanized
26	7100042.000	1	Drain Tube
27	7250135.002	4	Hole Plug, BPF-1"
28	8368656	1	Roller
29	8324099.4	1	Clamp 3/8" x 3/8" (Not shown)
30	4030100	1	Bushing Spacer (Not Shown)
31	4215632	1	¼ -20 X 2.25 HHCS (Not Shown)
32	4050776	5	Bolt, 1/4-20 x 1 Hex Head
33	7100042.0000	.3	Drain Tube (FT)
34	4060134	2	Plastic Wire Clamp, 1"
35	8324099.2	2	Clamp, 1/4"
36	8324099.7	2	Clamp, 1/2" x 5/8"

VEND RACK ASSEMBLY

ITEM	PART NUMBER	QTY	DESCRIPTION
	1215337.400	1	Vend Rack Assembly, CB500
1	See page 8	10	Vend Mech Assembly
2	See page 9	5	Product Retainer Assembly
3	1215995	3	Product Knockdown Stake Assembly
4	1216266	1	Stack Rivet Assembly CB500
5	4050202	2	Screw, 8-18x1/2 Phillips Hex Washer Head Tek
6	4210051	5	Drive Shaft
7	4210139	5	Rear Retainer
8	4210469	5	Center Filler
9	4211361	1	Loading Tray
10	4211368	15	Wire Clip
11	4211485	5	Latch Striker
12	4212961	1	Rod Retainer Strip
13	4213286	1	Cabinet Harness, CB500-SA
14	8800636	3	Screw, 8-18x1/2 Phillips Pan Head
15	8800955	6	Nut, 6-32 Hex with External Lock Washer
16	4033704	13	Cable Tie

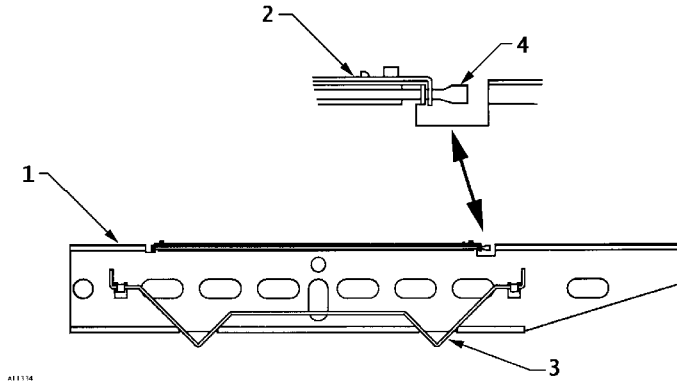
VEND MECH ASSEMBLY (3189 & 3189A)



A11333

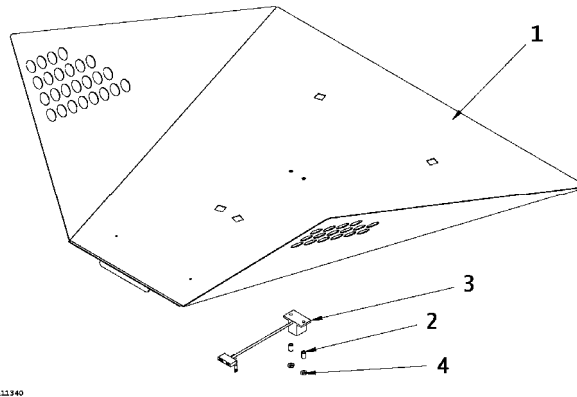
ITEM	PART NUMBER	QTY	DESCRIPTION
	1215009.400		Vend Mech Assembly
1	4210050	1	Vend Cradle
2	4210052.001	1	Motor (with Small Terminals)
3	4210449	1	Center Idler

PRODUCT RETAINER ASSEMBLY (3189 & 3189A)



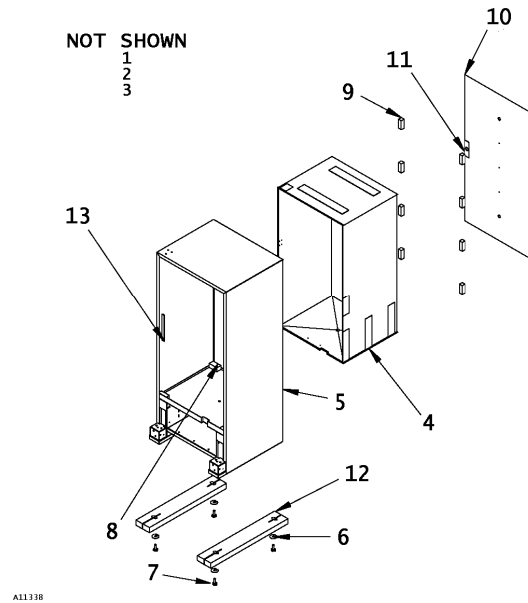
ITEM	PART NUMBER	QTY	DESCRIPTION
	1215594	1	Product Retainer Assembly
1	4210045		Retainer Door
2	4210048		Front Door Hinge
3	4210389.000950		Spring Latch, Plated
4	4210916		Hinge Shaft

HOPPER ASSEMBLY (3189 & 3189A)



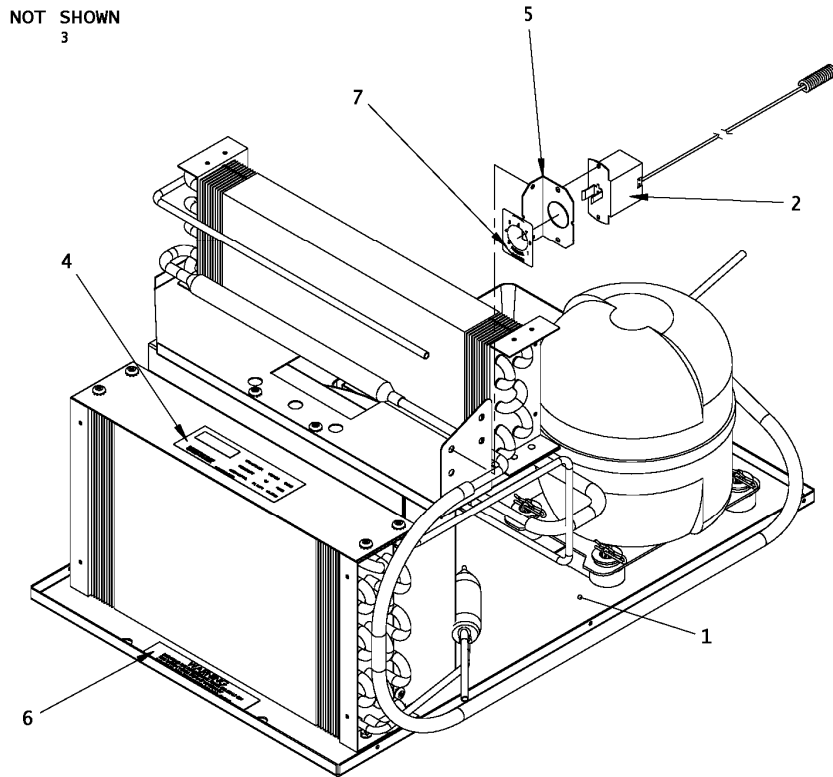
ITEM	PART NUMBER	QTY	DESCRIPTION
	1216267		Hopper Assembly
1	1216268	1	Hopper Weld Assembly
2	4206767	2	Stand Off
3	4210965	1	Drop Sensor
4	8800955	2	Nut, 6-32 Hex with External Lock Washer
5	4202801.001	1	Shield Bead – Ferrite (Not Shown)

CABINET FOAM ASSEMBLY (3189 & 3189A)



ITEM	PART NUMBER	QTY	DESCRIPTION
	1216316	1	Cabinet Foam Assembly, CB500 Wrinkle Black
1	R.3994	3.33	Seal-Mastic Permagem (FT, not shown)
2	R.4024	4.9	Insulation, Foam-Component (LB, not shown)
3	R.4025	4.9	Insulation, Foam-Component (LB, not shown)
4	1215344	1	Liner Assembly
5	1216309.000330	1	Cabinet Weld Assembly, Wrinkle Black
6	4009927	4	Washer, 5/8 Slotted (Leg Leveler)
7	4207933	4	Leg Leveler
8	4210138	4	Liner Support, CB700
9	4210527	9	Insulation, Stand Off Block
10	4210921.000330	1	Cabinet Back, Wrinkle Black
11	4214886	1	Back Foam Plate
12	4213114	2	Skid Board CB500
13	7960247.000	14.5	"A" Frame Gasket (FT)

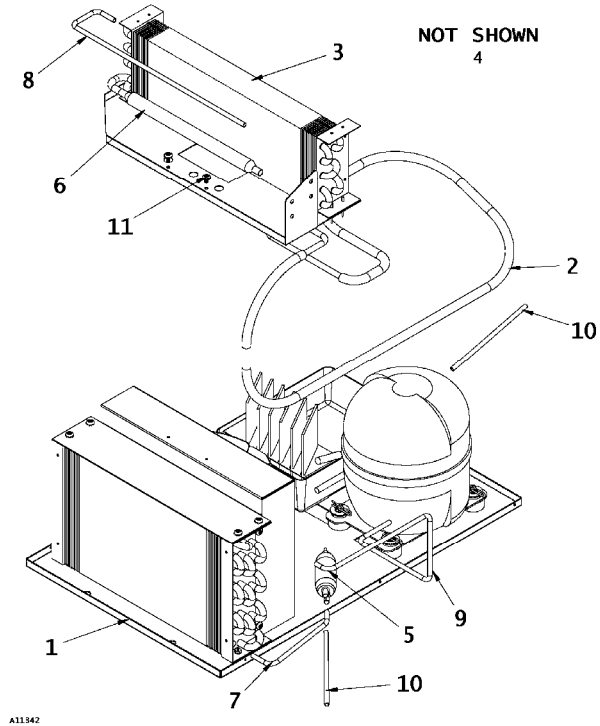
115V COMMON REFER 1/3 HP (3189 ONLY)



A11341

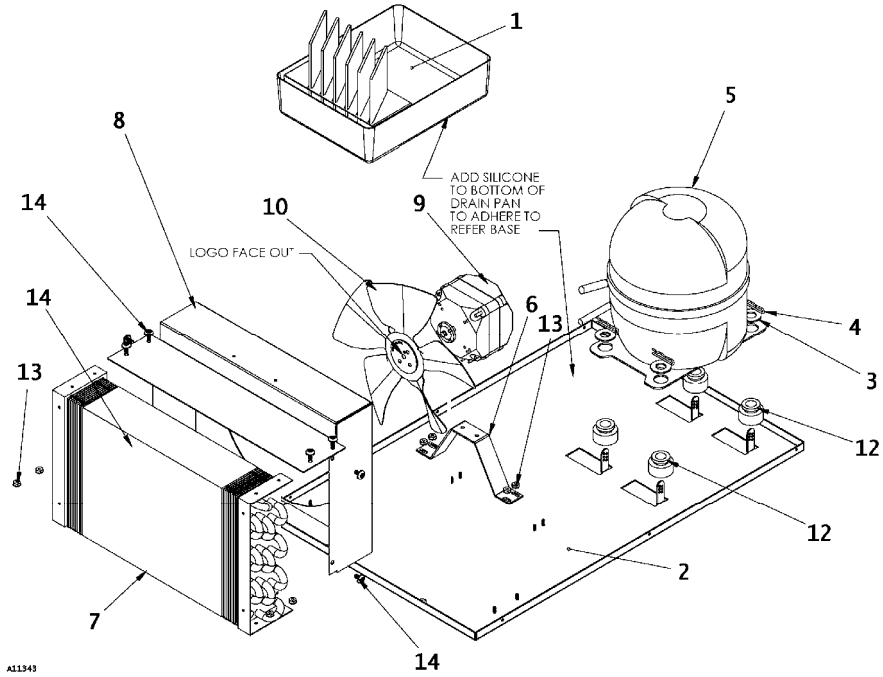
ITEM	PART NUMBER	QTY	DESCRIPTION
	1216327		115V Common Refer 1/3 HP
1	See page 12	1	Refer Solder Assembly
2	4205470	.55	R-134a Refrigerant (LB)
3	4205507.850	1	Serial Label, Common Refer 115V (Not For Sale)
4	7332492.000	1	Decal, Warning Warranty
5	7333084.000	1	Decal, Thermostat
6	7332408.000	1	Thermostat Bracket
7	4034324	1	Thermostat

REFER SOLDER ASSEMBLY (3189 & 3189A)



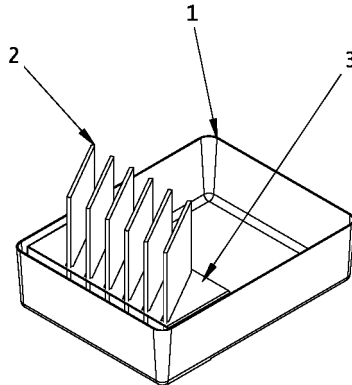
ITEM	PART NUMBER	3189	3189A	DESCRIPTION
	1216324	1	-	Refer Solder Assembly (110V)
	1213324.001	-	1	Refer Solder Assembly (220V)
1	See page 13	1	1	Refer Base Assembly
2	1216325	1	1	Suction Line Assembly
3	1216326	1	1	Evap Coil Rivet Assembly
4	4201709	2.8	2.8	Solder, Safe Sil (OZ)
5	4205468.001	1	1	Drier, Bonded Core .115
6	4210657	1	1	Accumulator
7	4213677	1	-	Condenser Exit Tube
	4210782	-	1	
8	4210786.001	1	1	Evap Inlet Tube 13-3/4"
9	4213311	1	1	Condenser To Compressor
10	8801180.003	1	1	Copper Tubing, 1/4 x 6"
11	8801204	2	2	Screw, 10-16 x 3/8 Phillips Truss Head w/Ext Washer

REFER BASE ASSEMBLY (TEC) (3189 & 3189A)



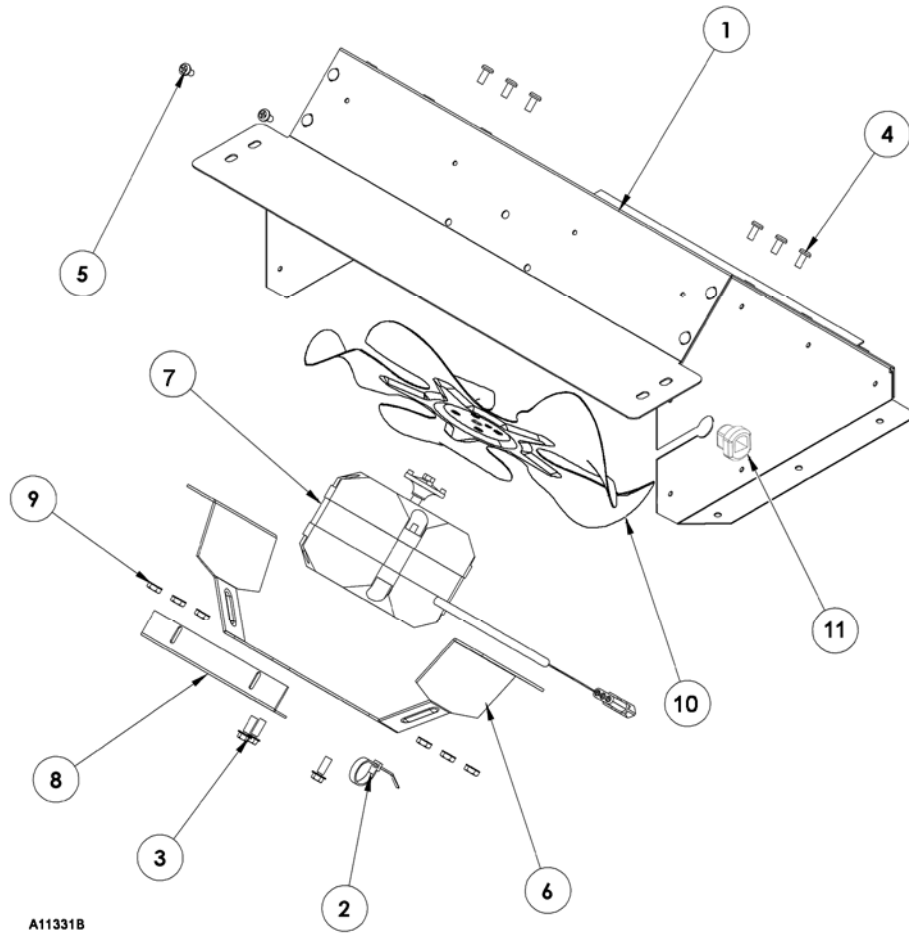
ITEM	PART NUMBER	3189	3189A	DESCRIPTION
	1216322	1	-	Refer Base Assembly (TEC) (110V)
	1216322.001	-	1	Refer Base Assembly (220V)
1	See page 14	1	-	Evap Card Assembly
2	1216321	1	1	Refer Base Stake
3	4050608	4	4	Flat Washer, 1/2 Zinc
4	4050773.000	4	4	Hitch Pin, #17 "Open"
5	4212283	1	-	Compressor, (110V)
	4212283.001	-	1	Compressor, (220V)
6	4212996	1	1	Condenser Fan Bracket
7	4213115	1	1	Condenser Coil, CB500
8	4213135	1	1	Fan Shroud
9	4213294	1	-	Motor, 9 Watt Condenser Fan (110V)
	4213294.001	-	1	Motor, 9 Watt Condenser Fan (220V)
10	4213295	1	1	Fan Blade, 10 Inch
11	4213309	1	1	Harness, Compressor (not shown)
12	8323090.1	4	4	Grommet, Compressor
13	8800955	8	8	6-32 Hex Nut with External Lock Washer
14	8801204	8	8	Screw, 10-16x3/8 Phillips Truss Head w/Lock Washer
15	4212289	1	-	Starting Capacitor (110V)
	4212289.001	-	1	Starting Capacitor (220V)

EVAP CARD ASSEMBLY (3189 ONLY)



ITEM	PART NUMBER	QTY	DESCRIPTION
	1216290.002		Evap Card Assembly New Pan
1	4212183	1	Drain Pan, CB/Combo
2	4212661	6	Condensate Evaporator Card
3	4213142	1	Evaporate Holder

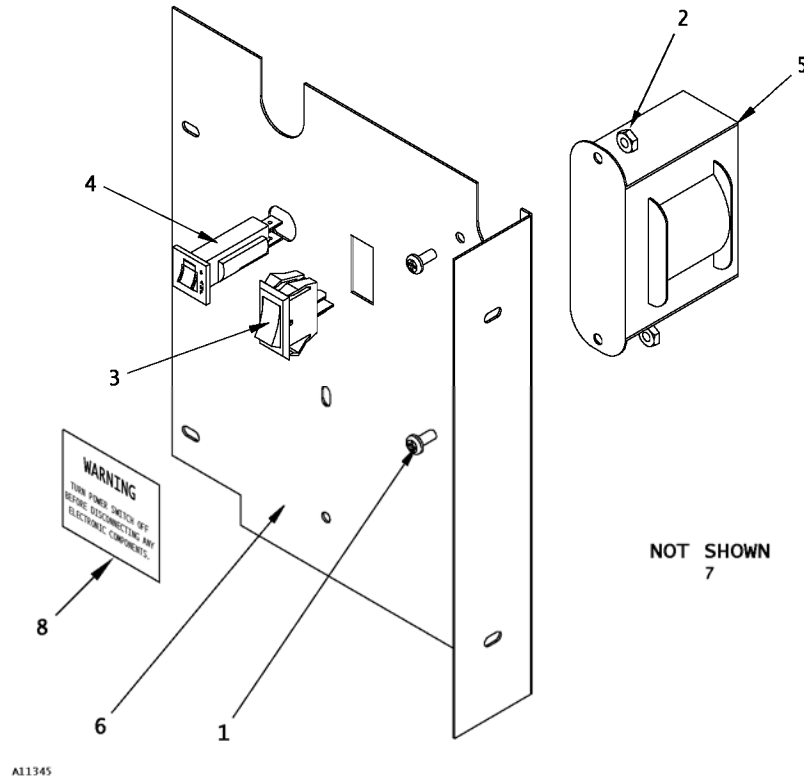
EVAPORATOR FAN ASSEMBLY (3189 & 3189A)



A11331B

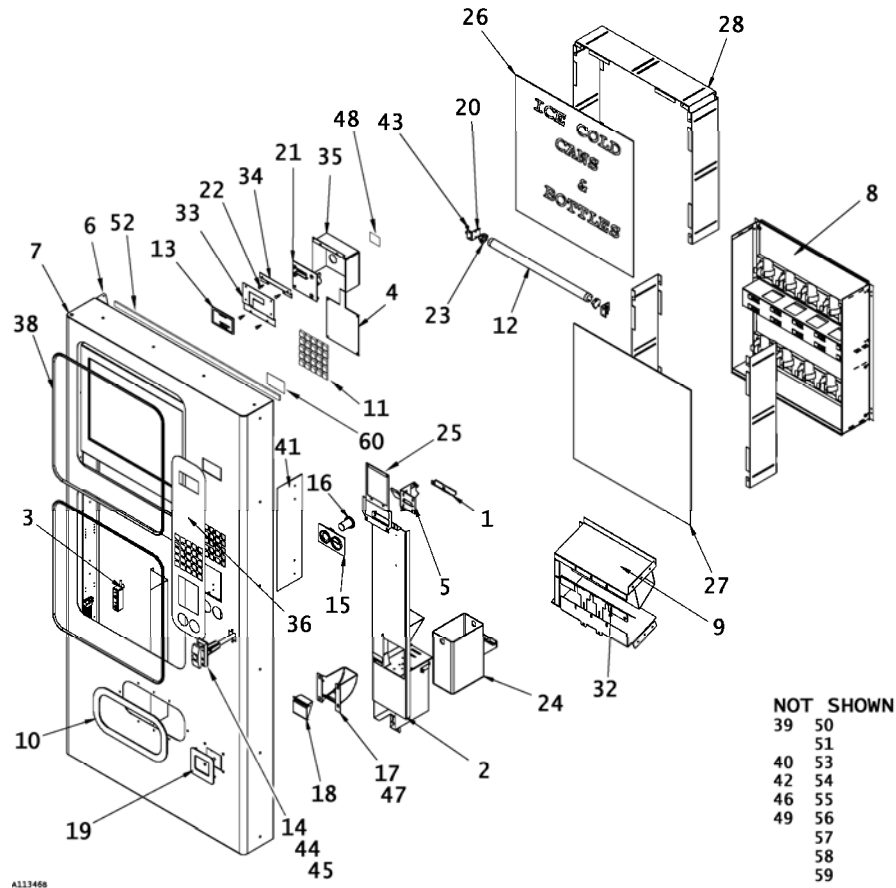
ITEM	PART NUMBER	3189	3189A	DESCRIPTION
	1215294	1	-	Evaporator Fan Assembly, 110V
	1215294.001	-	1	Evaporator Fan Assembly, 110V
1	1215648	1	1	Evaporator Fan Rivet Assembly
2	4033712 1	1	1	Cable Tie 7 3/8"
3	4050202	3	3	8-18 X 1/2" PHIL Hexagonal Washer Head Screw
4	4050240	6	6	8-32 X 3/8" PHIL Pan Head Screw
5	4050423	2	2	8-18 X 3/8 Phillips Pan Head Screws TYP A
6	4210618	1	1	Evaporator Fan Bracket
7	4214798	1	-	Evaporator Motor (110V)
	4214798.001	-	1	Evaporator Motor (220V)
8	4215474	1	1	Fan Stabilizer Bracket
9	8800956	6	6	8-32 Hex Nut W/External Tooth Lock Washer
10	4210727	1	1	8" Evaporator Fan Blade
11	4033683	1	1	Cord Strain Relief Bushing

ELECTRICAL BOX ASSEMBLY (3189 & 3189A)



ITEM	PART NUMBER	3189	3189A	DESCRIPTION
	1216350	1	-	Electrical Box Assembly (110V)
	1216350.001	-	1	Electrical Box Assembly (220V)
1	4050240	2	2	Screw, 8-32x3/8 Phillips Pan Head
2	4050513	2	2	Lock Nut, 8-32 Twin Whiz
3	4213627	1	1	Switch Double Pole
4	4203467.003	1	1	Circuit Breaker, 3 Amp
5	4206570.000	1	-	Transformer, 110V Input
	4206570.001	-	1	Transformer, 220V Input
6	4213199.001	1	1	Elect Box Front
7	4213745	1	1	Harness, Power Box (not shown)
8	8620711	1	1	Label, Power Switch Warning

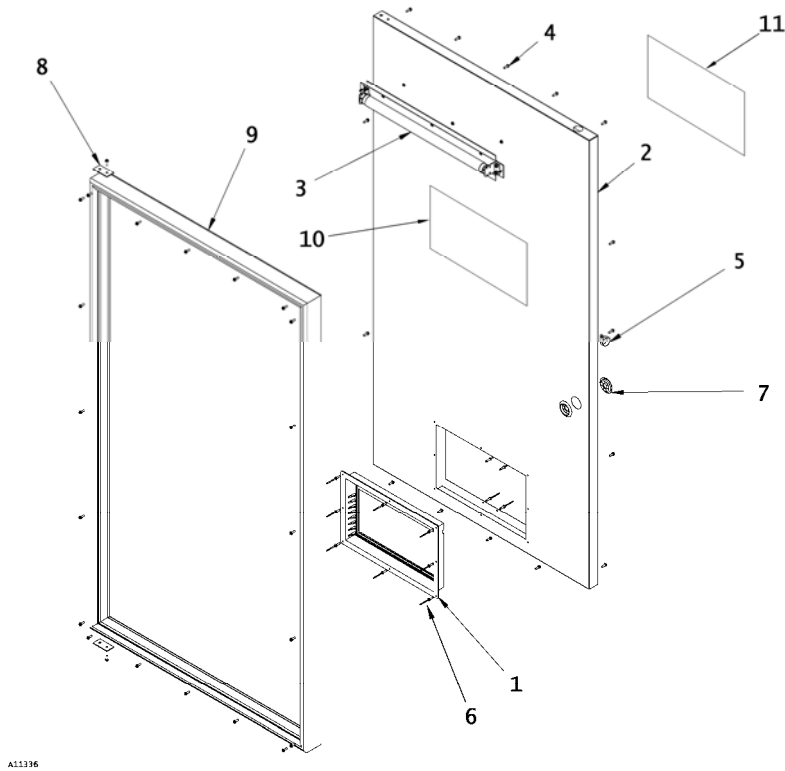
DOOR PARTS (3189 & 3189A)



ITEM	PART NUMBER	3189	3189A	DESCRIPTION
	1216354.400	1	-	Door Parts, CB500 (110V)
	1216354.003	-	1	Door Parts, CB500 (220V)
1	1212097.000950	1	1	Coin Chute Weld, Zinc Plated
2	1215072	1	1	Mech Mount Rivet Assembly
3	1215317.000950	1	1	Hinge Inner Bottom Weld, Plated
4	See page 23	1	1	Keypad Assembly
5	1216187	1	1	Coin Return Lever Assembly
6	1216419.000950	1	1	Weld, Inner Door Top Hinge Plated
7	1216355.000330	1	1	Door Weld, Wrinkle Black
8	See page 21	1	1	Product-Display Assembly
9	1216369.000330	1	1	Delivery Box Weld, Wrinkle Black
10	1216376.000330	1	1	Delivery Trim Weld, Wrinkle Black
11	4025741	25	25	Push Button
12	4033549	1	1	Lamp, F15T8/CW/18"
13	4202841.008	1	1	Readout Window
14	4202927.007	1	1	Latch, T-Handle
15	4203186.004	1	-	Coin Insert, Black 1-1/8
	4203186.005	-	1	Coin Insert, Black 1-3/8

ITEM	PART NUMBER	3189	3189A	DESCRIPTION
	1216354.400	1	-	Door Parts, CB500 (110V)
	1216354.003	-	1	Door Parts, CB500 (220V)
16	4203187	1	1	Coin Return Button, Black
17	4203207	1	1	Coin Cup, Black
18	4203208	1	1	Coin Cup Door, Black
19	4203209	1	1	Coin Cup Bezel, Black
20	4203462.002	2	2	Lamp Holder Mount
21	4205763.007	1	1	Controller Board, MCB12/MDB/960231
22	4206879	4	4	Board Standoff, 3/8"
23	4207171	2	2	Lamp Socket
24	4208890	1	1	Coin Box, Plastic
25	4210954.000309	1	1	Insert Mount, Smooth Black
26	4213227.001	1	1	Sign Face, Ice Water
27	4213227	1	1	Sign Face, Clear
28	4213619	5	5	Sign Holder
29	4213284	1	1	Harness, Control Board (not shown)
30	4213285	1	1	Harness, Door (not shown)
31	4213288	1	1	Harness, Lamp Power (not shown)
32	4213305.000330	1	1	Bottle Fender, Wrinkle Black
33	4213306.000309	1	1	Window, Board Mount, Smooth Black
34	4213307.000309	1	1	Top Controller Mount
35	4213308	1	1	Control Board Cover
36	4213336	1	1	Decal, Door
37	4213796	1	1	Grounding Strap 20"
38	4213371	13.33	13.33	Trim Lock Silver (FT)
39	4213372	1	1	Harness, Keypad Extension (not shown)
40	4213373	1	1	Harness, Lamp (not shown)
41	4213393.000309	1	1	Wire Cover, Smooth Black
42	4213413.000309	1	1	Ballast Cover, Smooth Black
43	8800956	38	38	Nut, 8-32 Hex w/Ext Lock Washer
44	8800952	1	1	Nut, 10-32 Hex w/Ext Lock Washer (not shown)
45	8810022	1	1	Carriage Bolt, 10-32 x 3/8 (not shown)
46	4050585	2	2	#8 External Tooth Lock Washer (Not Shown)
47	4050747	4	4	Nut, 1/4 Stamped Hex (not shown)
48	4202995	1	1	Label, Service Mode
49	See page 20	1	1	Terminated Ballast Assembly (not shown)
50	See page 24	-	1	Wittern Logo Insert (see door parts)
51	1211465.020	1	1	Harness, 20" Ground Wire Grn/Yel
52	4202255	3	3	Gasket, 1/4x3/4 Adhesive (Ft)
53	4213454.000309	1	1	Display Side, Smooth Black
54	4033712	7	7	Cable Tie, 7-3/8
55	4050202	4	4	Screw, 8-18x1/2 Phillips Hex Washer Head Tek
56	4060134	2	2	Plastic Wire Clamp, 1"
57	8324099.6	1	1	Clamp, 3/8" x 1/2"
58	8324099.7	1	1	Clamp, 1/2" x 5/8"
59	8362993	1	1	Spring, .312 x 3-3/4 SS
60	8038421	1	1	Label, Patent

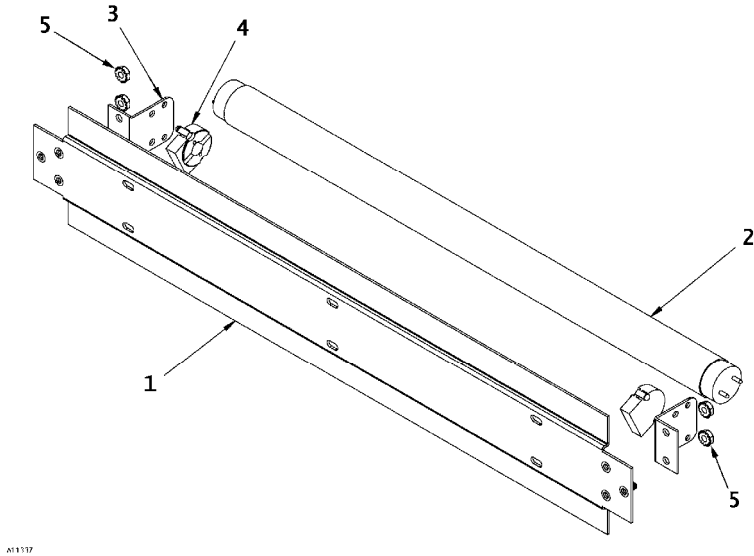
INNER DOOR PARTS (3189 & 3189A)



A11336

ITEM	PART NUMBER	QTY	DESCRIPTION
	1216315.400	1	Inner Door Parts
1	1215643	1	Vend Port Assembly, Combo
2	1216317	1	Inner Door Foam Assembly
3	See page 20	1	Lamp Assembly Inner Door
4	4050202	40	Screw, 8-18x1/2 Phillips Hex Washer Head Tek
5	4060134	1	Plastic Wire Clamp, 1"
6	4050665	12	Pop Rivet, 1/8" X 1/4"
7	4211728	2	Tee Handle Plug
8	4211747	2	Inner Door Support Brace
9	4213146.005	1	Gasket, Inner Door CB500
10	4213416	1	Label, Controller Instructions
11	4213417	1	Label, CB500 Loading Instructions

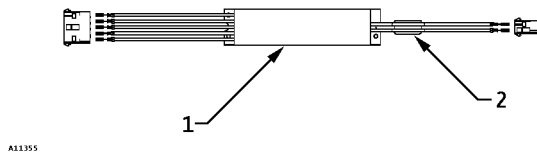
LAMP ASSEMBLY INNER DOOR (3189 & 3189A)



A11317

ITEM	PART NUMBER	QTY	DESCRIPTION
	1216360	1	Lamp Assembly Inner Door
1	1216359	1	Lamp Bracket Stake
2	4033549	1	Lamp, F15T8/CW/18"
3	4203462.002	2	Lamp Holder Mount
4	4207171	2	Lamp Socket
5	8800956	4	Nut, 8-32 Hex with External Lock Washer

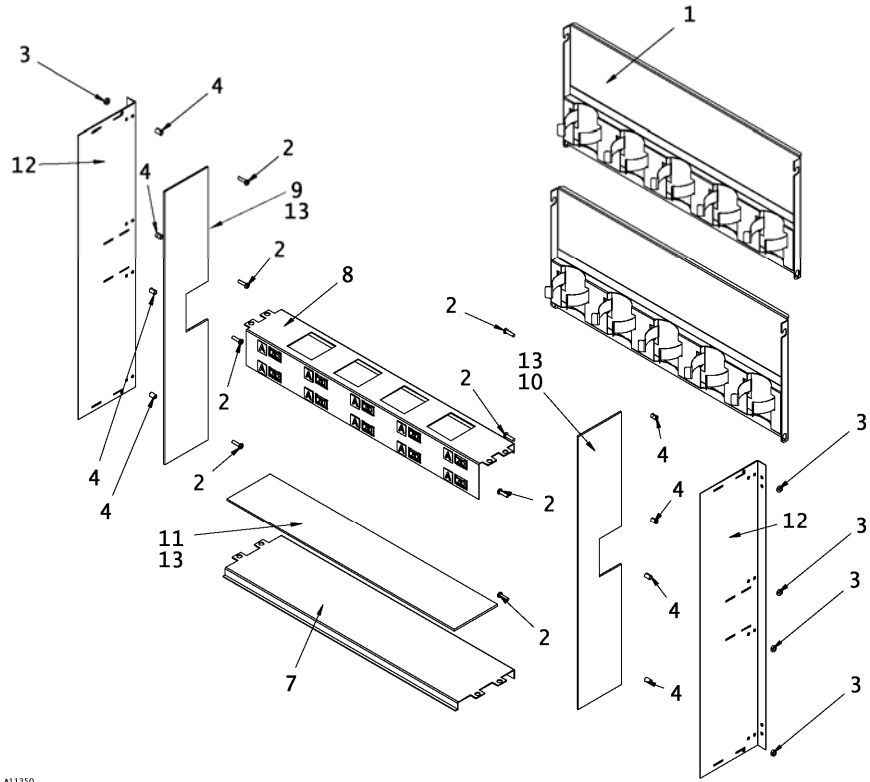
TERMINATED BALLAST ASSEMBLY (3189 & 3189A)



A11355

ITEM	PART NUMBER	3189	3189A	DESCRIPTION
	1216399	1	-	Terminated Ballast Assembly (110V)
	1216522	-	1	Terminated Ballast Assembly (220V)
1	4213320	1	-	Ballast WH33/L, 110V
	4213744	-	1	Ballast WH33/L, 220V
2	4202801.001	1	1	Shield Bead, Ferrite

PRODUCT DISPLAY ASSEMBLY (3189 & 3189A)

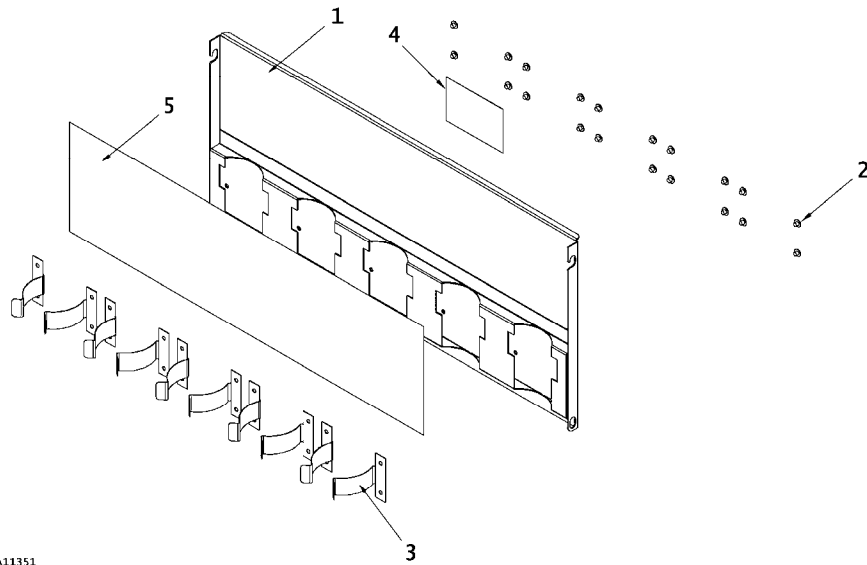


A11350

PRODUCT DISPLAY ASSEMBLY

ITEM	PART NUMBER	QTY	DESCRIPTION
	1216430	1	Product Display Assembly
1	See page 22	2	Product Door Rivet Assembly
2	4050251	8	Screw, 8-32x5/8 Phillips Pan Head
3	4050513	8	Lock Nut, 8-32 Twin Whiz
4	4060174.100950	8	Rolled Split Spacer
5	4203341.007	10	Label, Price Scroll CB300SA
6	4212236.001	1	Label, ALPHA Selection (w/o arrow)
7	4213267.000309	1	Product Display, Smooth Black
8	4213268.000309	1	Price Label Bracket, Smooth Black
9	4213390	1	Display Left Side Mirror
10	4213390.001	1	Display Right Side Mirror
11	4213391	1	Display Mirror Bottom
12	4213454.000309	2	Display Side, Smooth Black
13	4208565	11	Tape, 3/4 Double Sided (FT)

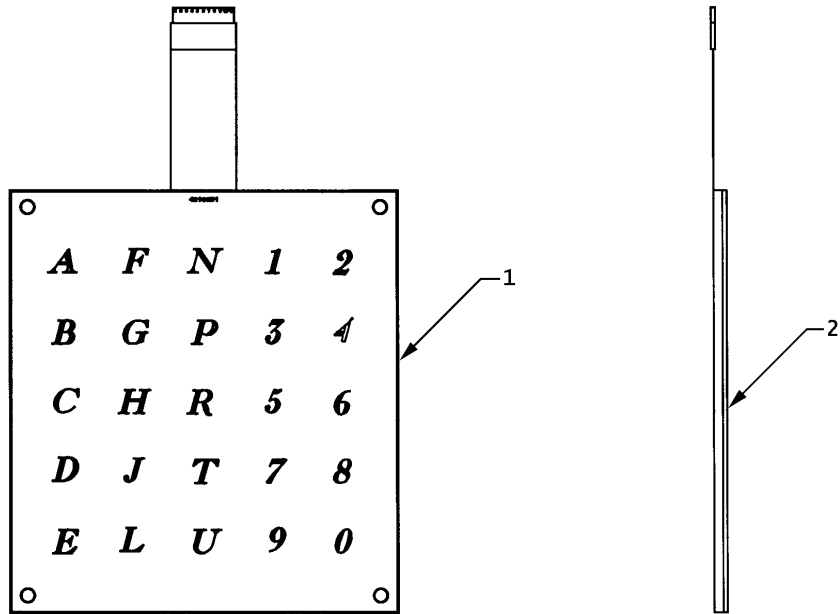
PRODUCT DOOR RIVET ASSEMBLY (3189 & 3189A)



A11351

ITEM	PART NUMBER	QTY	DESCRIPTION
	1216431	1	Product Door Rivet Assembly
1	1216432.000309	1	Product Door Weld, Smooth Black
2	4212194	20	Pop Rivet, 5/32
3	4213278	10	Product Retainer
4	4213522	1	Label, Display Door Instructions
5	4213337	1	Decal, Water Drop

KEYPAD ASSEMBLY (3189 & 3189A)



A11348

ITEM	PART NUMBER	QTY	DESCRIPTION
	1215547.403	1	Keypad Assembly
1	4210951.003	1	Keypad, 5x5 CB500
2	4210952.000309	1	Keypad Back Plate, Smooth Black

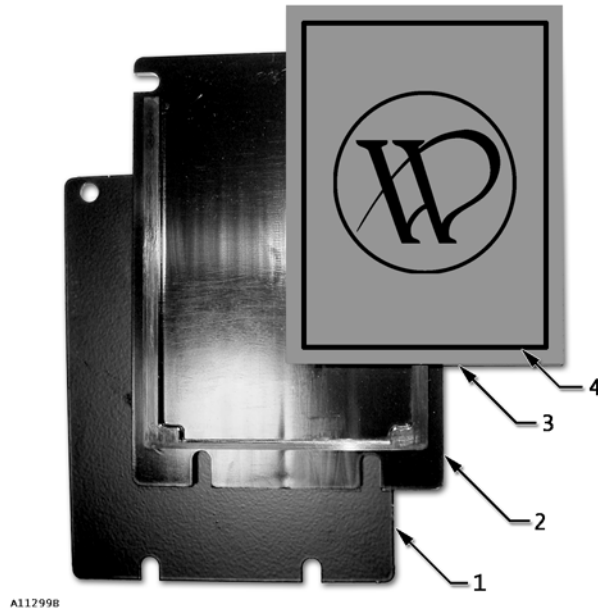
VALIDATOR (3189 ONLY)



A11105

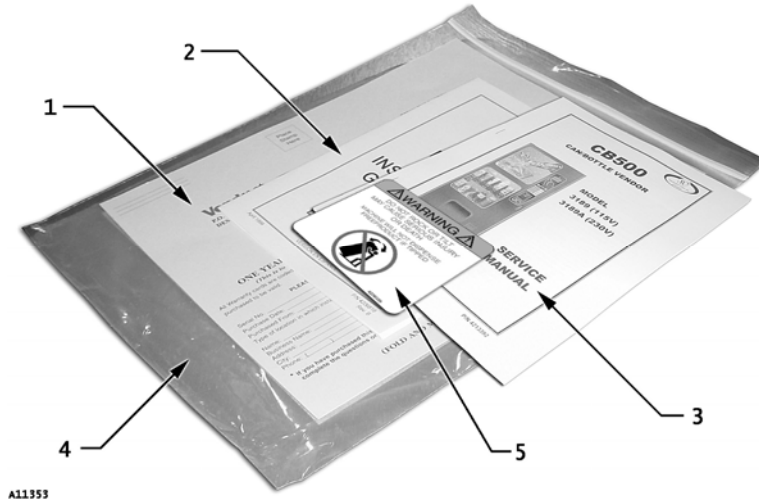
ITEM	PART NUMBER	QTY	DESCRIPTION
	1215577.003		Validator Install (Coinco)
1	4205536.145	1	Validator, COINCO Bill Pro/BP4SX
2	8800956	4	8-32 Hex Nut with External Lock Washer

WITTERN LOGO INSERT (3189A ONLY)



ITEM	PART NUMBER	QTY	DESCRIPTION
	1215919.409	1	Wittern logo
1	4201907.001309	1	Validator Plate, Smooth Black
2	4209639	1	Validator Filler
3	4209656.001309	1	POP Plate, Smooth Black
4	4210396	1	Filler Decal , Wittern Logo

SERVICE PACKAGE (3189 & 3189A)



ITEM	PART NUMBER	QTY	DESCRIPTION
	1216416	1	Service Package
1	4202750.001	1	Warranty Card
2	4206816	1	Safety Manual
3	4213392	1	CB500 Service Manual
4	835425.1	1	Plastic Zip-Lock Bag
5	4206939	1	Label, Tilt

NOTES:

The contents of this publication are presented for informational purposes only, and while every effort has been made to ensure their accuracy, they are not to be construed as warranties or guarantees, express or implied, regarding the products or services described herein or their use or applicability. We reserve the right to modify or improve the designs or specifications of such products at any time without notice.



VendNet™
 165 North 10th Street
 Waukee, Iowa 50263
 United States of America



	USA & Canada	International
Service	(800) 833-4411	(515) 274-3641
Parts	(888) 259-9965	
Email	vendnet@vendnetusa.com	
Web Site	www.vendnetusa.com	

4213418.DOC