



SNACK FOOD VENDOR SM 5700



MODEL 3160

PARTS MANUAL

TABLE OF CONTENTS

Order Information	1
Minimum Order.....	1
Payment.....	1
To Order by Mail.....	1
To Order by Fax.....	2
To Order by Phone.....	2
Returns	2
Limitation of Liability.....	2
Final Assembly.....	3
Cabinet Assembly	4
Controller Assembly	5
Door Assembly.....	6
Top Light Assembly.....	10
Bottom Light Assembly.....	10
Coin Release Assembly.....	11
Selector Panel Assembly	12
Delivery Assembly	14
Steel Tray Assembly	16
Plastic Tray Assembly.....	18
Power Assembly.....	20

ORDER INFORMATION

You may order parts from your distributor or from VendNet™. If you have any questions when placing your order, please call and we'll be happy to assist you. Please provide the following information when placing your order:

- Quantity Required
- Part Number
- Description of part

NOTE

When "Right" and "Left" are used with a part name, it is taken to mean that the person is facing the machine with the door closed.

- Vendor Model Number
- Vendor Serial Number
- Shipping and Billing Address
- Preferred Method of Shipment
- Customer Account Number

MINIMUM ORDER

You may wish to inquire on prices of parts and minimum order amount at the time of your order. If you order less than the minimum, please check our catalog for other parts you may require to bring your order up to the minimum amount.

VendNet™ reserves the right to change these requirements without notice.

PAYMENT

OPEN ACCOUNT with approved credit. MASTER CARD – VISA – DISCOVER – C.O.D.

TO ORDER BY MAIL

You may mail your order for replacement parts by providing the necessary information as requested above to:

VendNet™
165 North 10th Street
Waukee, Iowa 50263-0488
USA

Order forms are available upon request or you may use your own purchase order form.

TO ORDER BY FAX

You may Fax your order for replacement parts by providing the necessary information as requested above to:

VendNet™.
1-515-987-4447

TO ORDER BY PHONE

You may call in your order for replacement parts by providing the necessary information as requested above to VendNet™ Parts Department.

USA 1-888-259-9965

Canada 1-800-858-4730

Other locations 1-515-274-3641

RETURNS

RESTOCKING CHARGE 20%. A restocking charge of 20% will apply to merchandise accepted by VendNet™ for return, except items processed as warranty.

A Return Form clearly stating the reason for return must accompany all items returned. Returns are to be shipped freight prepaid to VendNet™, 165 North 10th Street, Waukee, Iowa 50263-0488. (Return Forms are available upon request from VendNet™)

LIMITATION OF LIABILITY

VendNet™ shall not be liable for any injury, loss or damage, whether direct, incidental or consequential arising out of the use of or the inability to use any part, parts or products sold by VendNet™. The remedies of the buyer set forth herein are exclusive, and the liability of VendNet™. With respect to any contract or sale or anything done in connection herewith, whether in contract, in tort, under any warranty, or otherwise, shall not, except as expressly provided herein, exceed the price of the part, parts or products on which such liability is based. Any statements or representations about the parts or product, other than those contained herein, do not constitute warranties and shall not be relied on by the buyer and shall have no force of effect unless contained in a written agreement signed by officers of VendNet™.

If you have any questions, check out our Website

<http://www.vendnetusa.com>

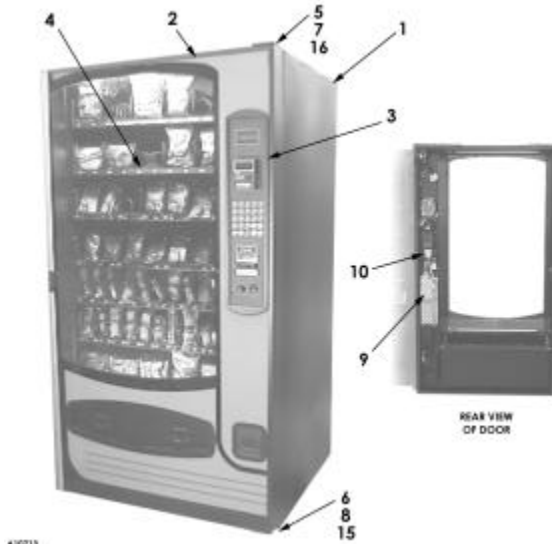
or please call VendNet™.

Ask for the Parts Department.

We will be happy to assist you.

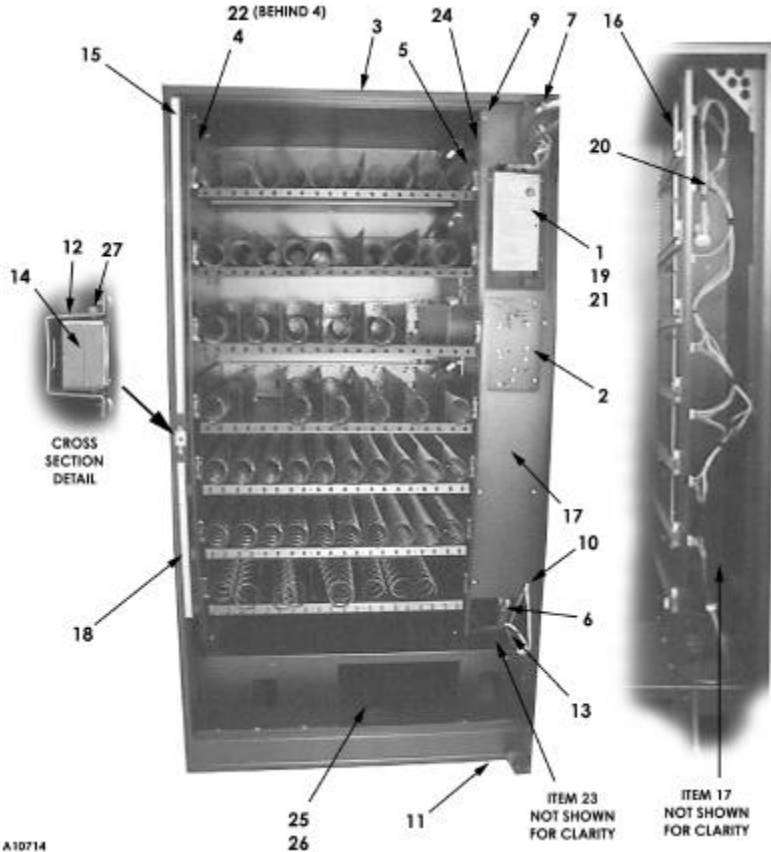
E-Mail: **VendNet@vendnetusa.com**

FINAL ASSEMBLY



ITEM	PART NO.	QTY	DESCRIPTION
1	(see page 4)	1	Cabinet Assembly
2	(see page 6)	1	Door Assembly
3	(see page 12)	1	Selector Panel Assembly
4	(see page 16)	1	Steel Tray Assembly
	(see page 18)	1	Plastic Tray Assembly
5	1215351.001330	1	Hinge Stake Assembly Top, Black
6	1215351.002330	1	Hinge Stake Assembly Bottom, Black
7	4050099	3	5/16-18 x ¾" Carriage Head Bolt
8	4050767	1	3/8 Flat Washer, Nylon
9	4200419.GX	1	Coin Mechanism 9302GX CoinCo
	4200419.CGX	1	Coin Mechanism 9302CGX CoinCo (Canadian)
	4210164.001	1	Coin Mechanism Conlux MDB CM CCM5G
10	4206699.039	1	Coin Mechanism Mars CM MDB TRC6512
	4205536.048	1	Validator Conlux
	4205536.124	1	Validator Coinco BA32SA
	4207996.007	1	Validator Mars VN2502
11	4206816	1	Safety Manual (not shown)
12	4206946	1	Gum & Mint Assembly Addendum (not shown)
13	4211415	1	SM5700 Service Manual (not shown)
14	4211472	1	Keypad Overlay (not shown)
15	8801388	3	5/16-18 x ¾ Hex Washer Head Screw
16	8810015	3	5/16-18 Flange Lock Nut

CABINET ASSEMBLY



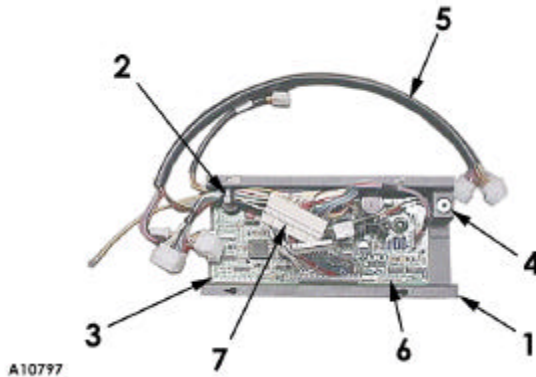
A10714

ITEM	PART NUMBER	QTY	DESCRIPTION
1	(see page 5)	1	Controller Assembly
2	(see page 18)	1	Power Assembly
3	1215336.005	1	Cabinet Weldment, Black 5W
4	1215505.000309	1	Left Panel Weldment, Black
5	1215710.000309	1	Right Side Panel Weldment, Black
6	4211198	1	Power Harness, 2 Lamp
7	4033712	7	Cable Tie 7-3/8"
8	4050202	6	8-18 x 1/2 Phillips Hex Washer Head Screw
9	4050423	40	8-18 x 3/8 Phillips Pan Head Screw
10	4050585	2	#8 External Tooth Lock Washer
11	4060310	4	Leg Leveler

Cabinet Assembly

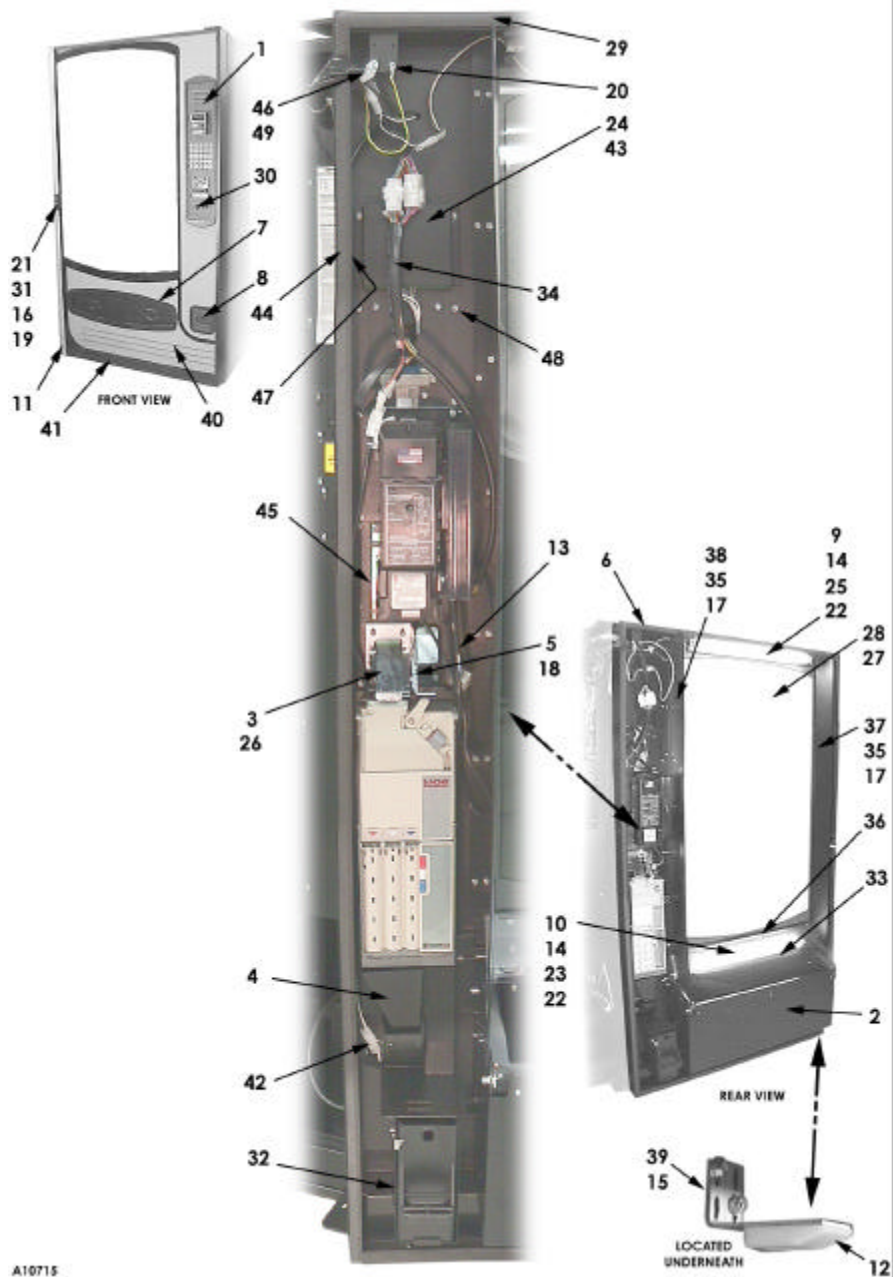
ITEM	PART NUMBER	QTY	DESCRIPTION
12	4203255	1	Nut Mount Bracket
13	4203520	1	Power Cable, 115V USA
	4208462.004	1	Power Cable, 230V Britain
14	4203634	1	Split Nut Assembly
15	4203645.001	1	Anti-Cheat, Long
16	4209508	1	Harness Channel
17	4209512.000309	1	Control Panel, Black
18	4209889	1	Bottom Anti-Cheat
19	4209902.000309	1	Controller Cover, Black
20	4210144	1	Main Harness
21	4210989	1	Controller Decal
22	4211671.000309	1	Side Panel Brace, Black
23	4211748.000309	1	Harness Shroud, Black
24	7250135.001	3	Hole Plug, BPF-1/2"
25	7250135.003	8	Hole Plug, BPF-3/4"
26	7250135.007	2	Hole Plug, BP-2-1/4"
27	8800638	2	10-16 x 3/8 Phillips Pan Head Screw

CONTROLLER ASSEMBLY



ITEM	PART NUMBER	QTY	DESCRIPTION
	1215805	1	Controller Assembly
1	1214807.000309	1	Controller Weldment, Black
2	4033712	2	Cable Tie 7-3/8"
3	4206879	7	Board Standoff 3/8"
4	4207902	1	DEX Harness
5	4209601	1	Control Board Harness
6	4209893	1	SMVI Control Board
7	4211433	1	J Harness Adapter

DOOR ASSEMBLY

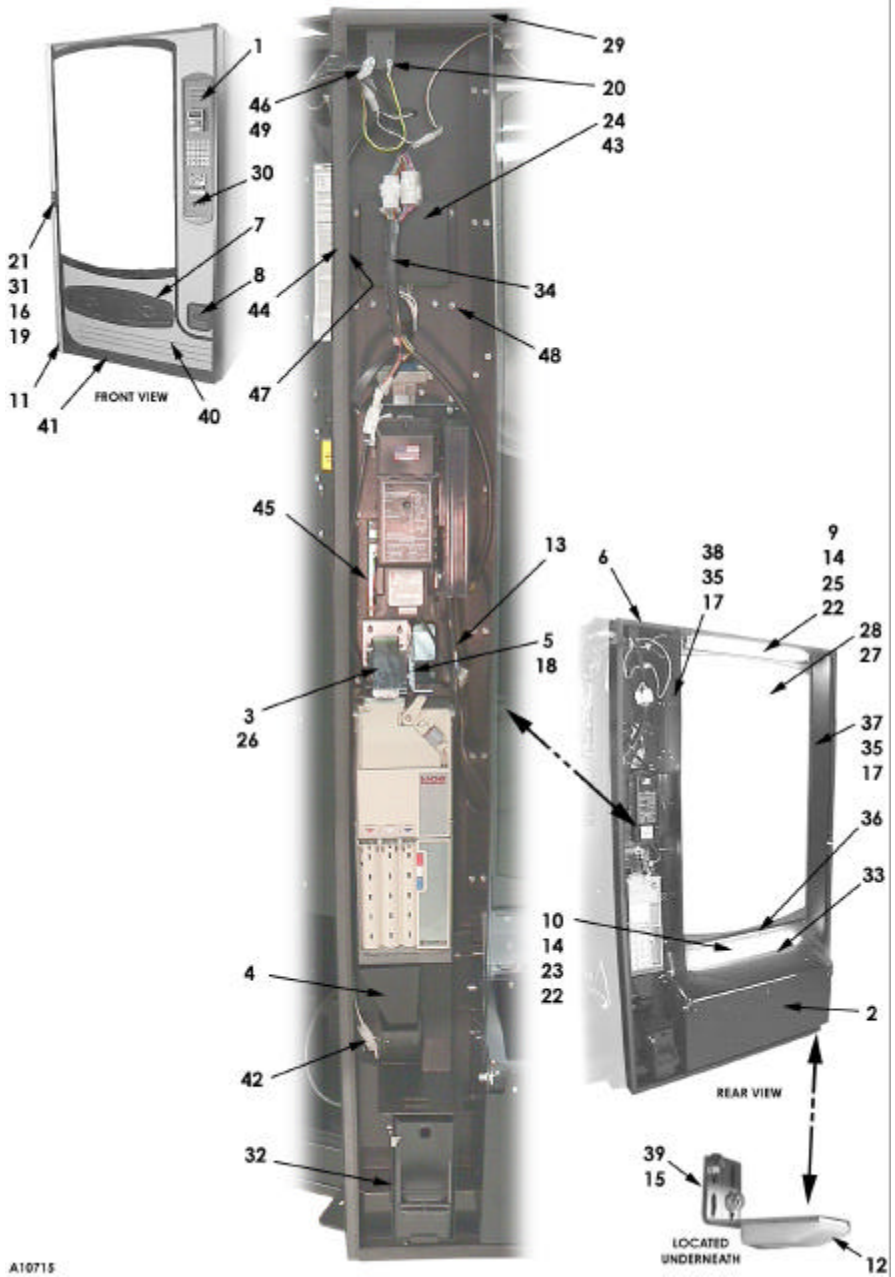


A10715

Door Assembly

ITEM	PART NO.	QTY	DESCRIPTION
1	(see page 12)	1	Selector Panel Assembly
2	(see page 14)	1	Delivery Assembly 5W
3	1212097.000950	1	Coin Chute Weldment, Zinc Plated
4	1215072	1	Mech Mount Rivet Assembly
5	(see page 11)	1	Coin Release Assembly
6	1215348.005330	1	Door Weldment 5W, Black
7	1215399.000330	1	Bezel Weldment 5W, Wrinkle Black
8	1215598	1	Coin Cup Sub-Assembly
	1215435.000330	1	Coin Cup Mount Weldment
	4050747	4	¼ Stamped Hex Nut
	4203207	1	Coin Cup/Black
	4203208	1	Coin Cup Door/Black
	4203209	1	Coin Cup Bezel/Black
9	(see page 10)	1	Top Light Assembly
10	(see page 10)	1	Bottom Light Assembly
11	1215700	1	Trim Assembly
	4211082	1	Side Trim
	4211143	1	Trim Retainer
	7320289.000	13	6-32 x 1/4 Phillips Pan Head Screw
12	4025610	1	Door Glide
13	4033712	3	Cable Tie 7-3/8"
14	4034135	2	Fluorescent Lamp
15	4050202	5	8-18 x 1/2 Phillips Hex Washer Head Screw
16	4050338	2	10-32 x 1/2 Phillips Flat Head Machine Screw
17	4050420	41	8-18 x 1/4 Phillips Hex Washer Head Screw
18	4050423	10	8-18 x 3/8 Phillips Pan Head Screw
19	4050495	2	10-32 Nut, Two Way Lock
20	4050585	1	#8 External Tooth Lock Washer
21	4060330	1	Lock & 2 Keys (Optional)
	7202038.998	1	Lock & Key 80000 Series (Optional)
22	4060622	1	1/2" Filament Tape (6" per door)
23	4200160.005	1	Light Shield
24	4200660	1	#406721 Readout 90 S
25	4201552	3	Deflector Plate Retain
26	4201942	2	6-20 x 3/16 Phillips Pan Head Screw
27	4202039.005	1	Window Gasket 5W

DOOR ASSEMBLY (CONTINUED)

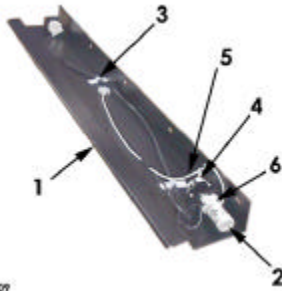


A10715

Door Assembly (continued)

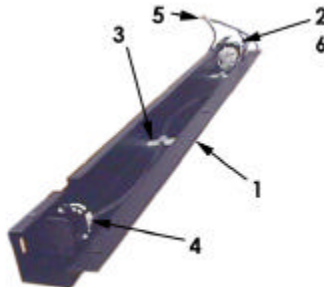
ITEM	PART NO.	QTY	DESCRIPTION
28	4202051.010	1	Glass
29	4202255	13	Gasket 1/4 x 3/4 with adhesive (uses 12.5 ft)
30	4203187	1	Coin Return Button
31	4203486.005	1	1/4 Turn Handle
32	4208890	1	Coin Box, Plastic
33	4209463.000309	1	Reflector Mount, Black
34	4209998	1	Door Harness, Lance Board
35	4211010.000309	2	Window Retainer, Black
36	4211059.000309	1	Window Retainer, Black
37	4211068.000309	1	Left Partition, Black
38	4211069.000309	1	Right Partition, Black
39	4211077	1	Door Lift Mount
40	4211080	1	Sign Face, Endeavor Slate
	4211080.001	1	Sign Face, Mountain
	4211080.002	1	Sign Face, Endeavor Black
	4211080.003	1	Sign Face, Coca Cola
41	4211080.999	1	Sign Face, Special Order
	4211121.000330	1	Sign Mount Bottom 5W
42	4211434	1	2 Lamp Extension Harness
43	4211419.000309	1	Display Cover, Black
44	4211555	6	Beveled Foam Gasket (ft)
45	8324099.2	1	Clamp 1/4"
46	8324099.9	2	Clamp, 1/2 x 3/4
47	8370959	3	Locking Clamp 1/2"
48	8800956	30	8-32 Hex Nut with External Lock Washer
49	8801011	1	#8 Flat Washer

TOP LIGHT ASSEMBLY



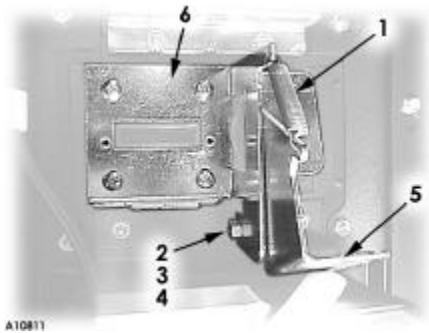
ITEM	PART NO.	QTY	DESCRIPTION
1	1215393.000309	1	Light Weldment, 5W Black
2	4033661	1	Starter FS-25
3	4060130	3	Press Clip, 1/4"
4	4207171	2	Lamp Socket
5	4208807.005	1	Lamp Harness 5W
6	4208884	1	Starter Socket

BOTTOM LIGHT ASSEMBLY



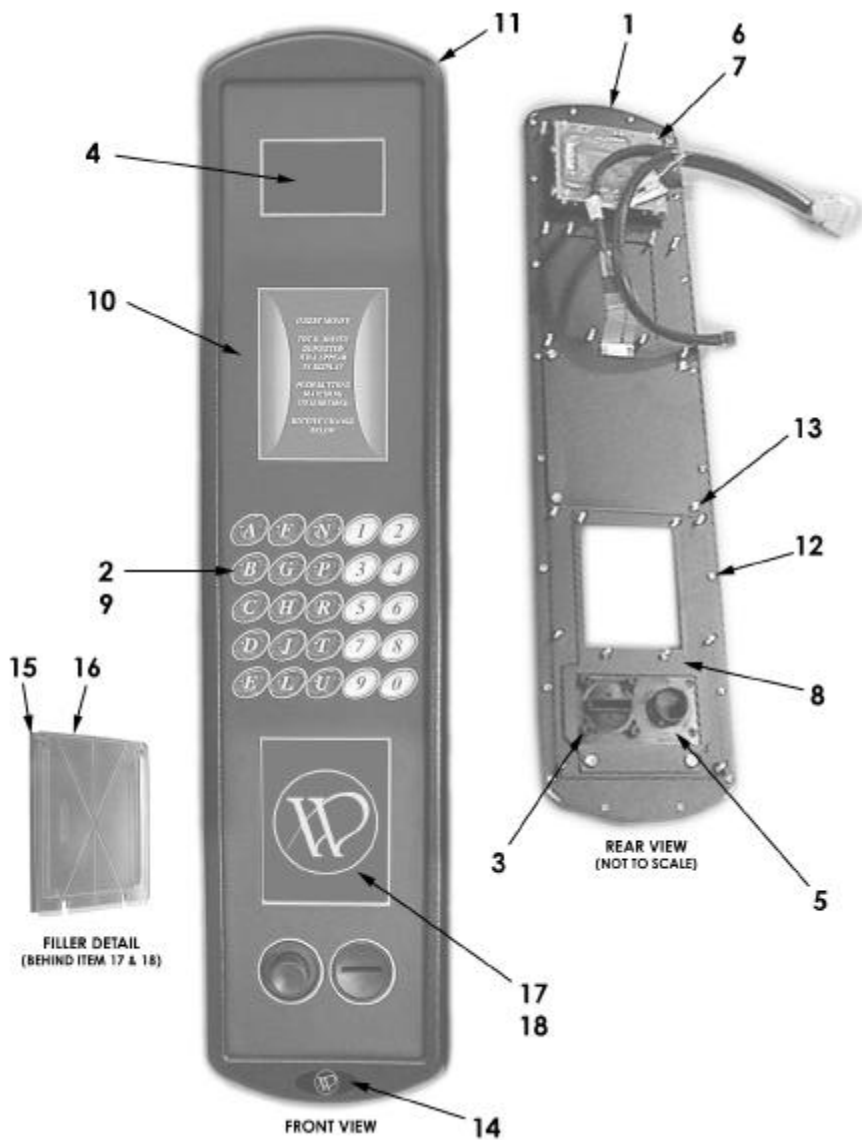
ITEM	PART NO.	QTY	DESCRIPTION
1	1214745.005309	1	Light Reflector Weldment, Black
2	4033661	1	Starter FS-25
3	4060130	3	Press Clip 1/4"
4	4207171	2	Lamp Socket
5	4208807.005	1	Lamp Harness 5W
6	4208884	1	Starter Socket

COIN RELEASE ASSEMBLY



ITEM	PART NO.	QTY	DESCRIPTION
	1215127	1	Coin Release Assembly
1	4021020	1	Spring 9/32 x 1-3/32
2	4030100	1	Bushing Spacer
3	4050240	1	8-32x3/8 Phillips Pan Head Screw
4	4050511	1	8-32 Locking Nut
5	4208726.001950	1	Coin Return Lever
6	4208727.001950	1	Coin Chute Mount Plate

SELECTOR PANEL ASSEMBLY

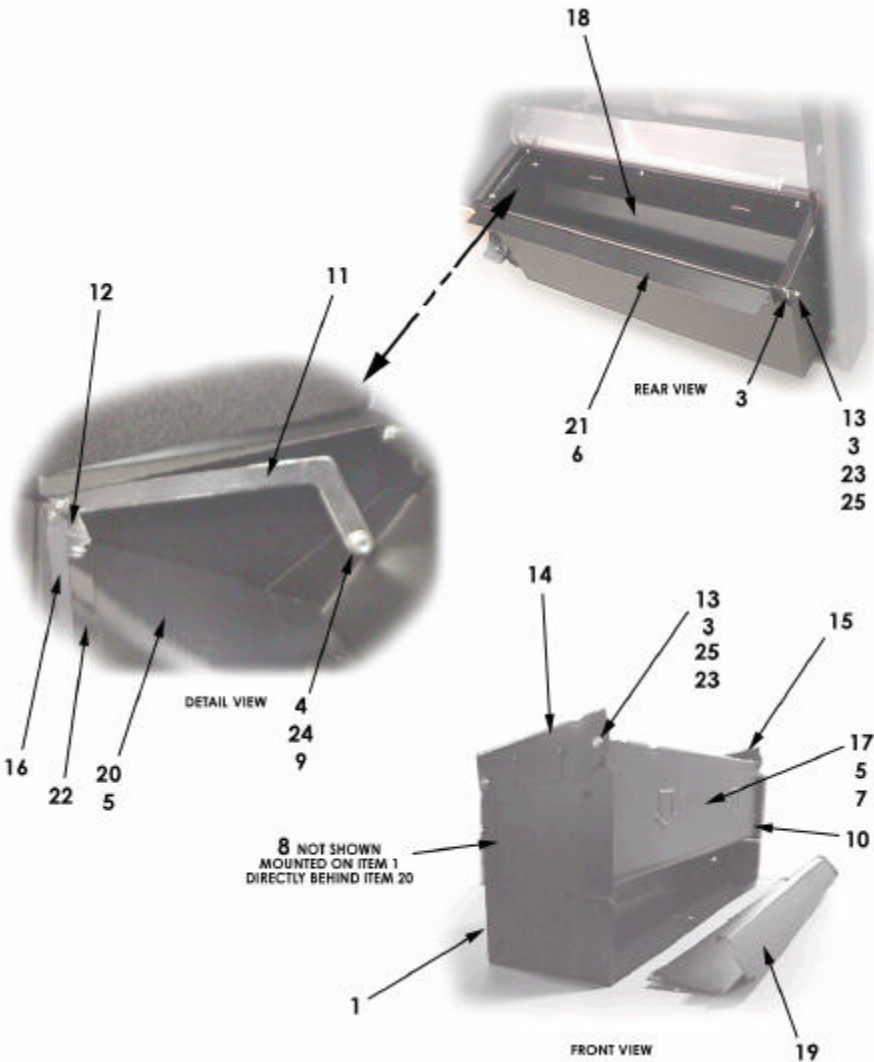


A10705

Selector Panel Assembly

ITEM	PART NO.	QTY	DESCRIPTION
	1215544	1	Selector Panel Assembly, 1-1/8 USA Black 1-Hole
	1215544.002	1	Selector Panel Assembly, 1-3/8 Int'l Black 2-Hole
1	1215391.000309	1	Selector Plate Weldment, 2 Hole
	1215391.001309	1	Selector Plate Weldment, 1 Hole
2	1215547.000	1	Keypad Assembly
3	4050423	4	8-18 x 3/8 Phillips Pan Head Screw
4	4202841.009	1	Readout Window, Blue
5	4203186.004	1	Coin Insert, 1-1/8 Black
	4203186.005	1	Coin Insert, 1-3/8 Black
6	4206879	4	Board Standoff, 3/8"
7	4210239.001309	1	Display Mount, Black
8	4210954.000309	1	Insert Mount, Black
9	4210978	25	Ellipse Button
10	4211227	1	Selection Decal, 1-Hole
	4211227.001	1	Selection Decal, 2-Hole
11	4211230.000309	1	Selection Bezel, Black
12	7320289.000	20	6-32 x 1/4 Phillips Pan Head Screw
13	8800956	14	8-32 Hex Nut with External Lock Washer
14	4212012	1	Wittern Logo (on 1215544.002 only)
15	4201907.001309	1	Validator Plate
16	4209639	1	Validator Filler
17	4210396	1	Filler Decal, Gold Wittern Logo
	4210396.001	1	Filler Decal, Spanish Instructions
	4210396.002	1	Filler Decal, French Instructions
	4210396.003	1	Filler Decal, Dutch Instructions
	4210396.004	1	Filler Decal, German Instructions
	4210396.005	1	Filler Decal, Portuguese Instructions
	4210396.006	1	Filler Decal, Italian Instructions
	4210396.007	1	Filler Decal, English Instructions
	4210396.008	1	Filler Decal, Danish Instructions
18	4209656.001309	1	POP Plate, Black

DELIVERY ASSEMBLY

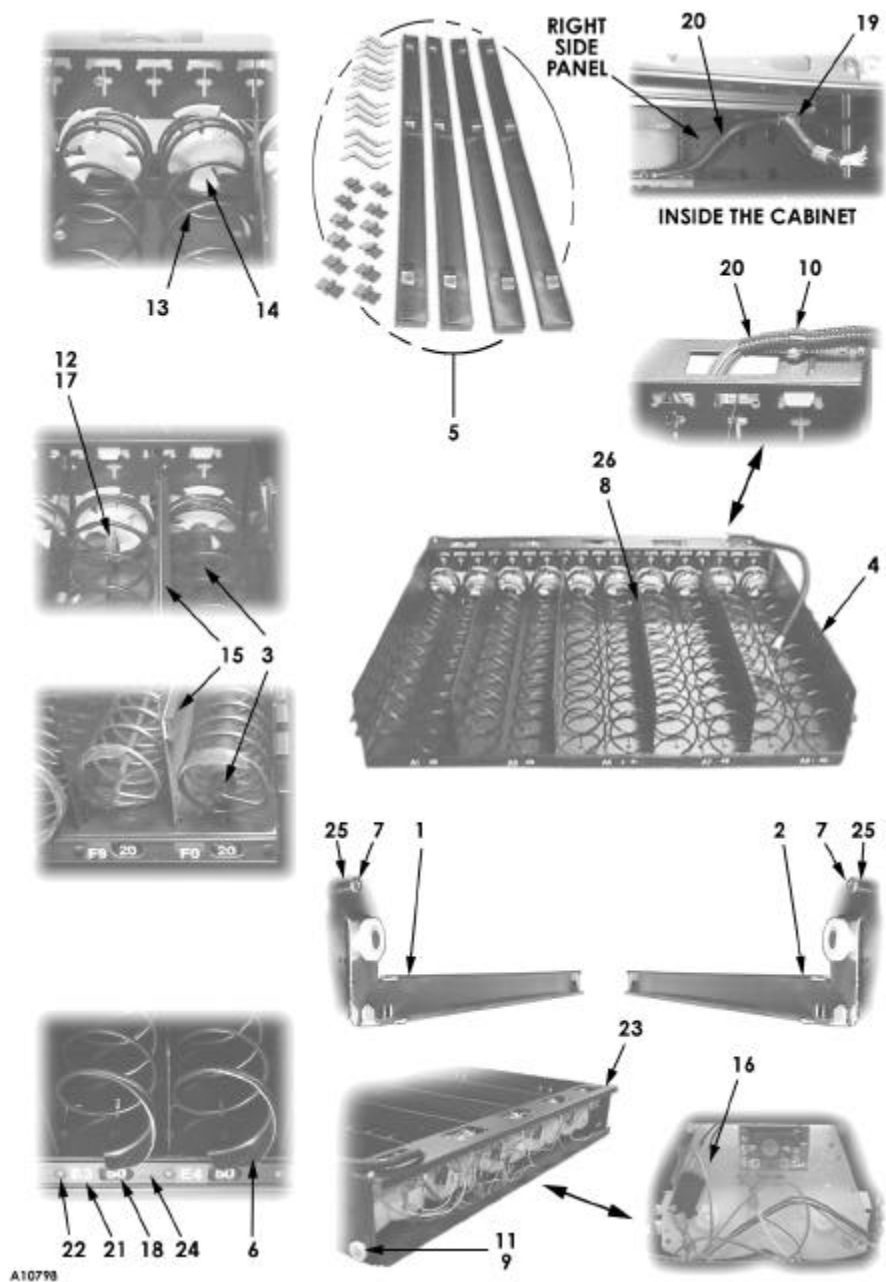


A10734

Delivery Assembly 5W

ITEM	PART NO.	QTY	DESCRIPTION
	1215599	1	Delivery Assembly 5W without Lift Sheet Kit
1	1214361.002309	1	Wrapper Weldment, 5W Black
2	1215602.005	1	Lift Sheet Kit (not shown)
	4205329	14	Arrow Clip (not shown)
	4211087.005	1	Lift Sheet 5W (not shown)
	4211402	2	Lift Sheet Plate (not shown)
3	4025263.001	4	Type 5 Nyliner 5/16 ID
4	4030100	8	Bushing, Spacer
5	4050239	10	8-32 x 3/8 Phillips Pan Head Screw
6	4050420	3	8-18 x 1/4 Phillips Hex Washer Head Screw
7	4050663	8	1/8 x 1/4 Rivet
8	4202255	1	Gasket 1/4 x 3/4 with Adhesive (.83 ft required)
9	4203386.044	4	8-32 x 5/8 Captive Stud
10	4205329	2	Arrow Clip
11	4207695.001950	2	Delivery Link, Plated
12	4207697.001950	2	Anti-cheat Link, Plated
13	4207698.005	2	Delivery Shaft, 5W Plated
14	4207772.000309	1	Side Deflector Left, Black
15	4207772.001309	1	Side Deflector Right, Black
16	4208362.002309	1	Wrapper Back 5W, Black
17	4208364.002	1	Delivery Door 5W, Black Vinyl
18	4208365.002309	1	Door Back 5W, Black
19	4211086.005309	1	False Box, Black
20	4211089.005309	2	Delivery Anti-Cheat, Black
21	4211399.000309	1	Delivery Partition, Black
22	4211774.005309	1	Wire Guard 5W, Black
23	8324353	8	5/16 ID Flat Washer
24	8800956	10	8-32 Hex Nut with External Lock Washer
25	8801080	4	E-Ring, 5/16

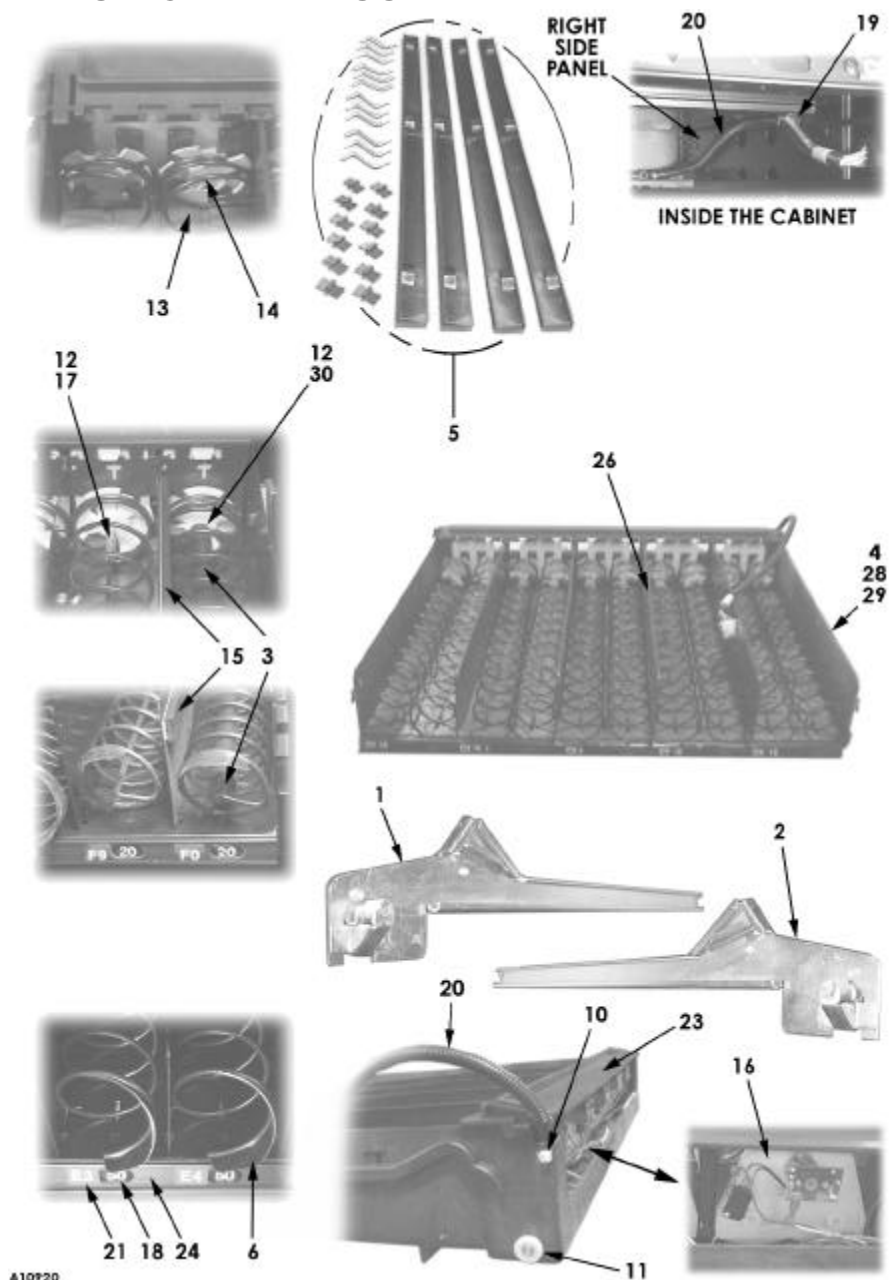
STEEL TRAY ASSEMBLY



Steel Tray Assembly

ITEM	PART NO.	QTY	DESCRIPTION
1	1200321.002	1	Side Rail Rivet Assembly, Left
2	1200321.003	1	Side Rail Rivet Assembly, Right
3	1211351	AR	Tube Assembly (Gum & Mint 40)
	4202625.001	AR	Helix Tube, G & M
	4203101	AR	End Cap, G & M
4	1215638.000309	1	Tray Weldment, Black SM5700 (Common Tray)
5	1215722.001	1	Product Crowder Assembly
	4060481	12	Spring Clip
	8370660.5	4	Spacer
	8370998	12	Support, Spacer
6	4025748	AR	Product Eject CCW (1 per candy selection)
7	4050241	2	8-18 x 3/4 Phillips Pan Head Screw
8	4050420	AR	8-18 x 1/4 Phillips Hex Washer Head Screw
9	4050496	2	1/4-20 Nut, Two Way Lock (Common Tray)
10	4060116	1	Plastic Wire Clamp (Common Tray)
11	4060670.001	2	Roller (Common Tray)
12	4200164.000	AR	8-32 x 1-1/4 Shoulder Screw (Gum & Mint 40)
13	4200272.100309	AR	Auger 15 Candy, Black
	4200272.101309	AR	Auger 18 Candy, Black
	4200272.102309	AR	Auger 24 Candy, Black
	4200272.131309	AR	Auger 10 Candy, Black
	4200272.142309	AR	Auger 8 Candy, Black
	4202313.106309	AR	Auger 30 Count, Black (Gum & Mint HC 30)
	4202313.107309	AR	Auger 40 Candy, Black (Gum & Mint 40)
	4205532.131309	AR	Auger 10R Candy, Black (dual)
	4205532.142309	AR	Auger 8R Candy, Black
14	4209502	AR	Auger Coupling
15	4202624.006	AR	Gum & Mint Spacer with Tape (Gum & Mint 40)
16	4209663	AR	24VDC Motor Single 360° (not gum & mint)
	4209663.001	AR	24VDC Motor Single 180° (Gum & Mint 40)
	4210392	AR	24VDC Dual Motor
17	4202698	AR	Helix Retainer
18	4203341	AR	Price Scroll (per selection)
19	4203468	1	Snap-In Clip (per tray)
20	4203508.005	1	Tray Harness 5W (per tray)
21	4203707	1	Selection Identification Label
22	4205329	6	Arrow Clip (Common Tray)
23	4211463.000309	1	Motor Back, Black (Common Tray)
24	4211464	1	Label Holder (Common Tray)
25	4211491	2	Spacer
26	4211628.000309	AR	Divider, Black
27	4203793.001	AR	Dollar Label, \$1 (not shown)
	4203793.002	AR	Dollar Label, \$2 (not shown)
	4203793.003	AR	Dollar Label, \$3 (not shown)
	4203793.004	AR	Dollar Label, \$4 (not shown)
	4203793.005	AR	Dollar Label, \$5 (not shown)
	4203793.006	AR	Dollar Label, \$6 (not shown)
	4203793.007	AR	Dollar Label, \$7 (not shown)
	4203793.008	AR	Dollar Label, \$8 (not shown)
	4203793.009	AR	Dollar Label, \$9 (not shown)

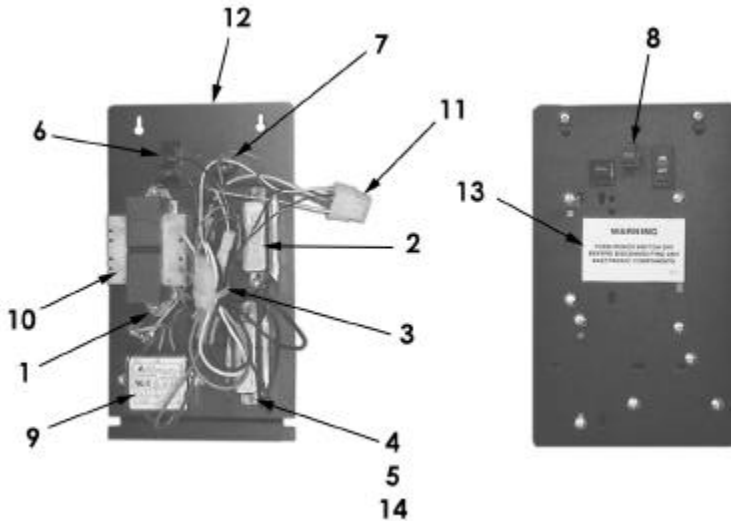
PLASTIC TRAY ASSEMBLY



Plastic Tray Assembly

ITEM	PART NO.	QTY	DESCRIPTION
1	1215925.001	1	Side Rail Rivet Assembly, Left
2	1215925	1	Side Rail Rivet Assembly, Right
3	1211351	AR	Tube Assembly (Gum & Mint 40)
	4202625.001	AR	Helix Tube, G & M
	4203101	AR	End Cap, G & M
4	4210730.001	1	Plastic Tray 5W (Common Tray)
5	1215128	1	Spacer Kit
	4200281	12	Spring Clip
	8370660.5	4	Spacer
	8370998	12	Support, Spacer
6	4025748	AR	Product Eject CCW (1 per candy selection)
10	4203509	1	Cable Tie (Common Tray)
11	4060670.009	2	Roller (Common Tray)
12	8810035	1	10-24x1 Truss Cross Head Screw (Gum & Mint 40)
13	4200272.100309	AR	Auger 15 Candy, Black
	4200272.101309	AR	Auger 18 Candy, Black
	4200272.102309	AR	Auger 24 Candy, Black
	4200272.131309	AR	Auger 10 Candy, Black
	4200272.142309	AR	Auger 8 Candy, Black
	4202313.106309	AR	Auger 30 Count, Black (Gum & Mint HC 30)
	4202313.107309	AR	Auger 40 Candy, Black (Gum & Mint 40)
	4205532.131309	AR	Auger 10R Candy, Black (dual)
	4205532.142309	AR	Auger 8R Candy, Black
14	4209502	AR	Auger Coupling
15	4202624.006	AR	Gum & Mint Spacer with Tape (Gum & Mint 40)
16	4034388	AR	24VDC Motor Single 360° (not gum & mint)
	4034388.001	AR	24VDC Motor Single 180° (Gum & Mint 40)
	4205436	AR	24VDC Dual Motor
17	4202698	AR	Helix Retainer
18	4203341	AR	Price Scroll (per selection)
19	4203468	1	Snap-In Clip (per tray)
20	4203508.005	1	Tray Harness 5W (per tray)
21	4203707	1	Selection Identification Label
23	4210731.005	1	Motor Cover 5W (Common Tray)
24	4210733.005	1	Scroll Retainer (Common Tray)
26	4210732.001	AR	Divider
27	4203793.001	AR	Dollar Label, \$1 (not shown)
	4203793.002	AR	Dollar Label, \$2 (not shown)
	4203793.003	AR	Dollar Label, \$3 (not shown)
	4203793.004	AR	Dollar Label, \$4 (not shown)
	4203793.005	AR	Dollar Label, \$5 (not shown)
	4203793.006	AR	Dollar Label, \$6 (not shown)
	4203793.007	AR	Dollar Label, \$7 (not shown)
	4203793.008	AR	Dollar Label, \$8 (not shown)
	4203793.009	AR	Dollar Label, \$9 (not shown)
28	4211371	1	Tray Brace (Common Tray)
29	4050667.004	5	Pop Rivet, 1/8 SB4-6
30	4210900	1	Shoulder Bushing (Gum & Mint 40)

POWER ASSEMBLY



A10800

ITEM	PART NO.	QTY	DESCRIPTION
	1215591	1	Power Assembly 110V
	1215591.002	1	Power Assembly 230V
1	4033505	3	Closed End Splice Cap
2	4033669	2	Ballast 110V
	4034088	2	Ballast 230V
3	4033712	2	Cable Tie 7-3/8"
4	4050240	9	8-32 x 3/8 Phillips Pan Head Machine Screw
5	4050585	9	#8 External Tooth Lock Washer
6	4202088	1	Switch, Rocker
7	4203467.003	1	Circuit Breaker, 3A
8	4203468	1	Snap-In Clip
9	4203730.003	1	RFI Filter
10	4206570.000	1	Transformer 110V Input
	4206570.001	1	Transformer 230V Input
11	4211178	1	2 Lamp Power Panel Harness
12	4211179.000309	1	Power Panel
13	8620711	1	Power Switch Warning Label
14	8800956	9	8-32 Hex Nut with External Lock Washer

NOTES

The contents of this publication are presented for informational purposes only, and while every effort has been made to ensure their accuracy, they are not to be construed as warranties or guarantees, express or implied, regarding the products or services described herein or their use or applicability. We reserve the right to modify or improve the designs or specifications of such products at any time without notice.



VendNet™
 165 North 10th Street
 Waukee, Iowa 50263
 United States of America



	USA & Canada	International
Service	(800) 833-4411	(515) 274-3641
Parts	(888) 259-9965	
Email	vendnet@vendnetusa.com	
Web Site	www.vendnetusa.com	