



COMBINATION SNACK/BEVERAGE

(COMBO 3/6)



MODEL 3155

**PARTS
MANUAL**

TABLE OF CONTENTS

ORDER INFORMATION	1
Minimum Order	1
Payment	1
To Order By Mail	1
To Order by FAX	1
To Order by Phone	2
To Order On The Web	2
Returns	2
Limitation of Liability	2
Questions	2
FINAL ASSEMBLY	3
Cabinet Parts	4
Hopper Parts.....	8
Power Cord Mount Assembly	8
Sensor Board Mount Assembly	9
Stack Parts	10
Vend Mechanism Assembly.....	11
Tray Parts	12
Refrigeration Parts.....	14
Evaporator Fan Parts.....	15
Elect Box Assembly	16
Inner Door Parts	17
Door Parts	18
Selector Panel Parts	22
Delivery Box Parts	24
Coin Mech.....	26
Validator & Card Reader.....	27
Service Package Parts	28

ORDER INFORMATION

You may order parts from your distributor or from VendNet™. If you have any questions when placing your order, please call and we will be happy to assist you. Please provide the following information when placing your order:

- Quantity required
- Part number
- Description of part
- Vending machine model number
- Vending machine serial number
- Shipping and billing address
- Preferred method of shipment
- Customer account number

Note:

When "right" and "left" are used with a part name, it is taken to mean that the person is facing the machine with the door closed.

MINIMUM ORDER

You may wish to inquire on prices of parts and minimum order amount at the time of your order. If you order less than the minimum, please check our catalog for other parts you may require to bring your order up to the minimum amount.

VendNet™ reserves the right to change these requirements without notice.

PAYMENT

Several payment options are available:

- MASTER CARD
- VISA
- OPEN ACCOUNT (with approved credit)
- DISCOVER
- C.O.D.

TO ORDER BY MAIL

Order forms are available upon request or you may use your own purchase order form. You may mail your order for replacement parts by providing the necessary information as requested above to:

VendNet™

165 North 10th Street
Waukee, IA 50263-0488
USA

TO ORDER BY FAX

You may FAX your order for replacement parts by providing the necessary information as requested above to VendNet™:

1-515-987-4447

TO ORDER BY PHONE

You may call in your order for replacement part by providing the necessary information as requested above to VendNet™ Parts Department.

USA	1-888-259-9965
Canada	1-800-858-4730
Other	1-515-274-3641

TO ORDER ON THE WEB

You may go online and place an order through the internet:

<http://www.vendnetusa.com>

<http://www.vendnet.ws>

RETURNS

A restocking charge of 20% will apply to merchandise accepted by VendNet™ for return, except items processed as warranty. A Return Form clearly stating the reason for return must accompany all items returned. Return Forms are available upon request from VendNet™. Returns are to be shipped freight prepaid to:

VendNet™
165 North 10th Street
Waukee, IA 50263-0488.

LIMITATION OF LIABILITY

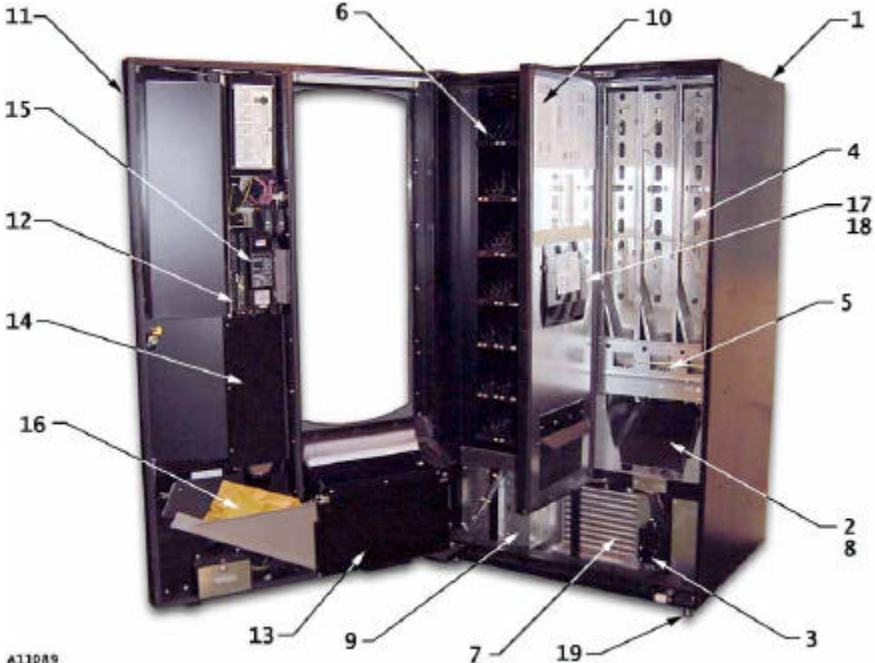
VendNet™ shall not be liable for any injury, loss or damage, whether direct, incidental or consequential arising out of the use of or the inability to use any part, parts or products sold by VendNet™. The remedies of the buyer set forth herein are exclusive, and the liability of VendNet™. With respect to any contract or sale or anything done in connection herewith, whether in contract, in tort, under any warranty, or otherwise, shall not, except as expressly provided herein, exceed the price of the part, parts or products on which such liability is based. Any statements or representations about the parts or product, other than those contained herein, do not constitute warranties and shall not be relied on by the buyer and shall have no force of effect unless contained in a written agreement signed by officers of VendNet™.

QUESTIONS

If you have any questions:

- check our website at www.vendnetusa.com or www.vendnet.ws
- send an email to vendnet@vendnetusa.com
- or please call VendNet™ by phone and ask for the Parts Department.
We will be happy to assist you.

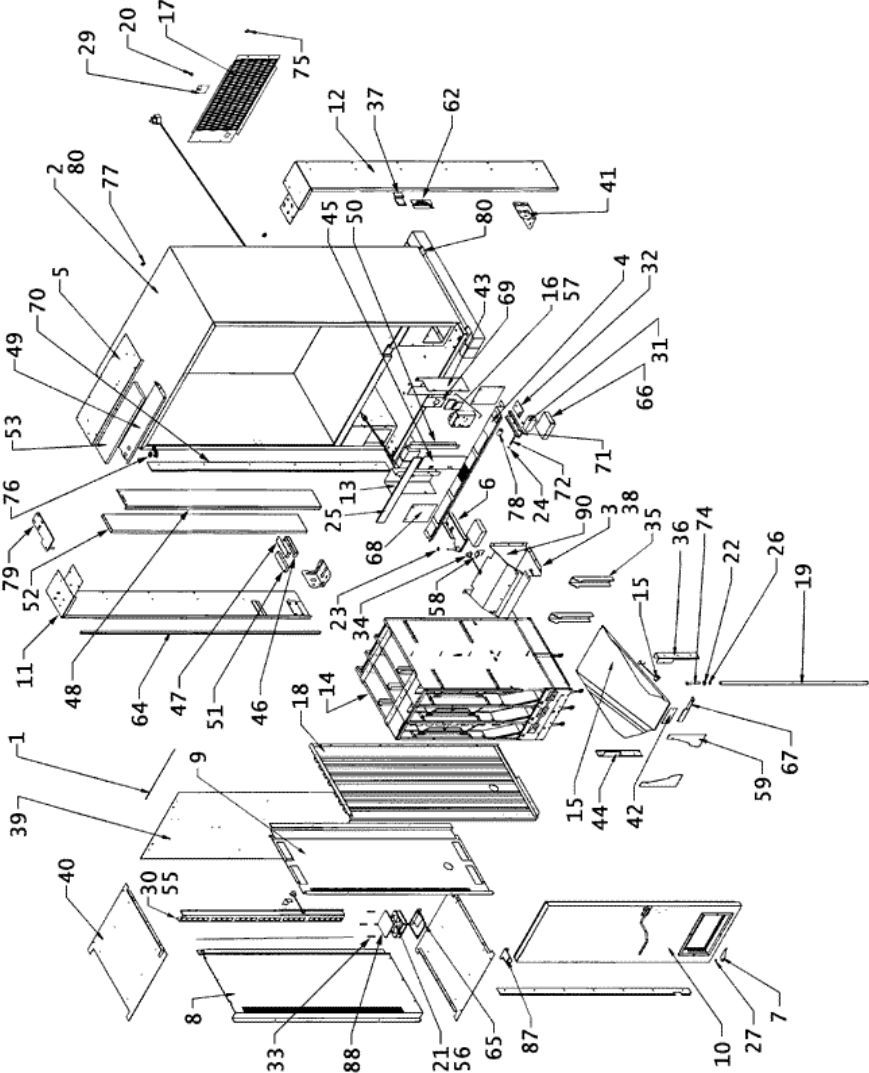
FINAL ASSEMBLY



A11089

ITEM	PART NUMBER	QTY	DESCRIPTION
1	(see page 4)	1	Cabinet Parts
2	(see page 8)	1	Hopper Parts
3	(see page 9)	1	Sensor Board Mount Assembly
4	(see page 10)	1	Stack Parts
5	(see page 11)	1	Vend Mechanism Assembly
6	(see page 12)	1	Snack Tray Parts
7	(see page 14)	1	Refrigeration Parts
8	(see page 15)	1	Evaporator Fan Parts
9	(see page 16)	1	Elect Box Assembly
10	(see page 17)	1	Inner Door Parts
11	(see page 18)	1	Door Parts
12	(see page 22)	1	Selector Panel Parts
13	(see page 24)	1	Delivery Box Parts
14	(see page 26)	1	Coin Mech
15	(see page 27)	1	Validator-Card Reader
16	(see page 28)	1	Service Package Parts
17	4211816	1	16.9 Oz Water Filler
18	4212174.001	1	Label, Filler Installation Instructions
19	4207933	4	Leg Leveler

CABINET PARTS

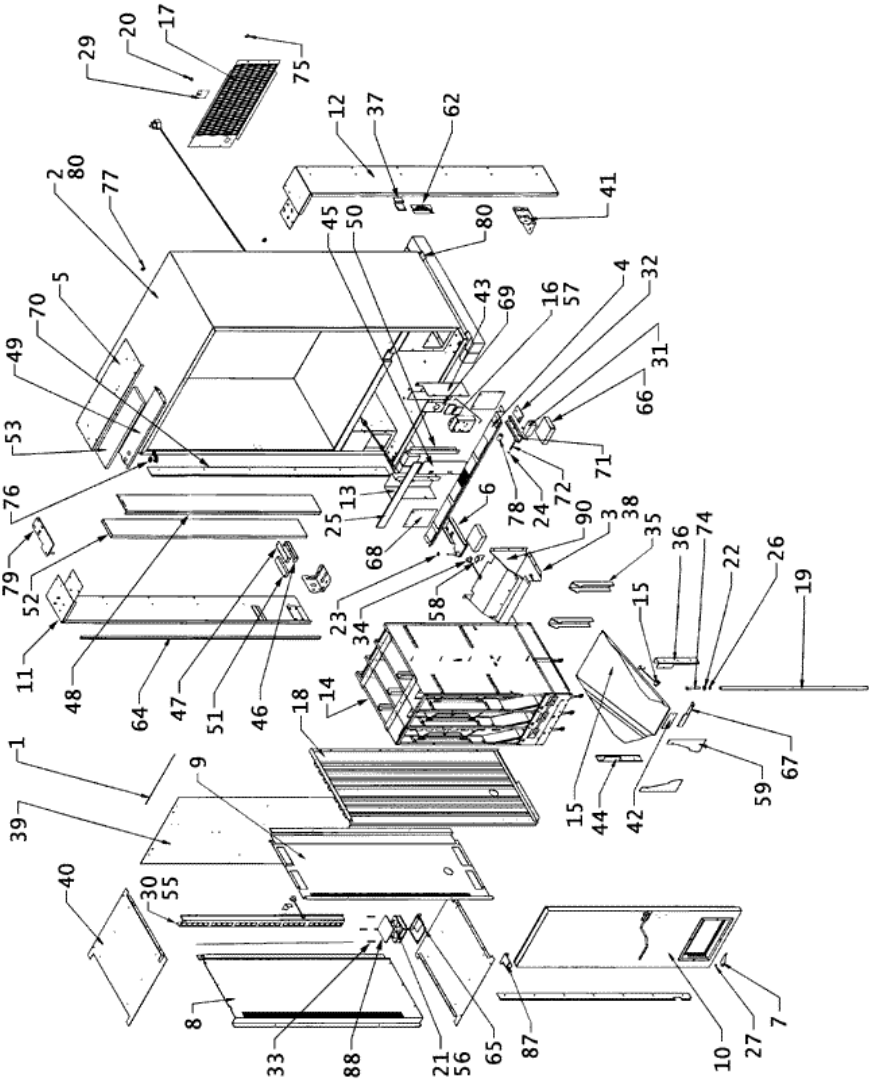


ALI1083

CABINET PARTS

ITEM	PART NUMBER	QTY	DESCRIPTION
1	1211465.002	1	16" Ground Wire
2	1215013.001	1	Cabinet Foam Assembly, Wrinkle Black, No Holes
	1215013.003	1	Cabinet Foam Assembly, Light Gray, No Holes
3	(see page 15)	1	Evaporator Fan Parts
4	1215312.000309	1	Screen Weld, Smooth Black
5	1215316.000330	1	Top Cab Extension Stake Assembly, Wrinkle Black
	1215316.000305	1	Top Cab Extension Stake Assembly, Light Gray
6	1215340.000330	1	Bottom Hinge, Combo, Wrinkle Black
	1215340.000305	1	Bottom Hinge, Combo, Light Gray
7	1215350.000950	1	Inner Door Hinge
8	1215359.000309	1	Left Panel Weld, Smooth Black
9	1215360.000309	1	Right Panel Weld, Smooth Black
10	(see page 27)	1	Inner Door Parts
11	1215409.000330	1	Left Extension Weld, Wrinkle Black
12	1215410.000330	1	Right Extension Weld, Wrinkle Black
13	(see page 8)	1	Power Cord Mount Assembly
14	(see page 10)	1	Stack Parts
15	(see page 8)	1	Hopper Assembly
16	(see page 9)	1	Sensor Board Mount Assembly
17	1215720.000309	1	Rear Screen Weld, Smooth Black
18	1215743	1	Partition Weld
19	4025410.006	1	Tubing, Mayon 3-1/2 Ft. Long, Gray
20	4033683	1	Cord Strain Relief Bushing (115V only)
21	4034344.000	1	Evaporator Fan, 115V 50/60Hz
22	4050608	1	1/2 Flat Washer, Zinc
23	4050767	1	3/8 Flat Washer, Nylon
24	4200088	2	.250 Stud Dia Push Nut
25	4202278.003	2	Foam Tape 2-1/4 (1.83 Ft. Required)
26	4202284	1	.500 Stud Dia Push Nut
27	4203029	1	Washer, Inner Door
29	4209122	1	Cord Plate (115V only)
30	4209508.000309	1	Harness Channel, Smooth Black
31	4210162	1	Wood Block
32	4210319.000309	1	Hold Down Bracket, Smooth Black
33	4210601	4	8-18 x 2 Phillips Pan Head Screw, Type AB
34	4210655	2	Temperature Sensor with Harness
35	4210692	2	Rack Support, Galv
36	4210896	1	Rack Support, Right
37	4210903.000951	1	Pusher Plate
38	4210929	1	Evap Fan Extension Harness (not shown)
39	4210963.000309	1	Liner Insert Rear, Smooth Black
40	4210964.000309	2	Liner Insert Top/Bottom, Smooth Black
41	4210968.000309	2	Side Extension Reinforcement, Smooth Black
42	4211023	1	Line Cover
43	4211034	1	Baffle
44	4211098	1	Rack Support, Left
45	4211166	1	Extension Air Block
46	4211185.000309	1	Extension Delivery Box Seal, Smooth Black

CABINET PARTS

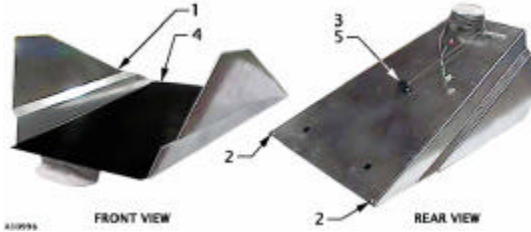


A11083

CABINET PARTS

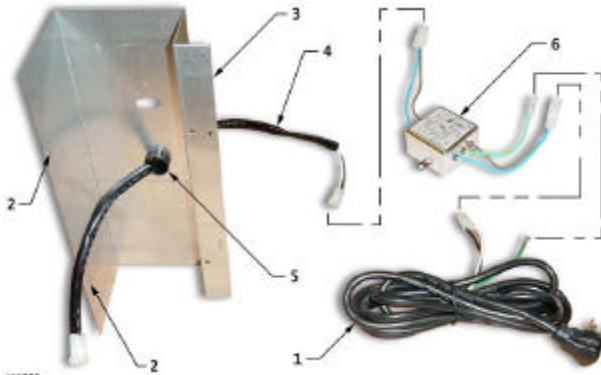
ITEM	PART NUMBER	QTY	DESCRIPTION
47	4211186.000309	1	Foam Cover, Smooth Black
48	4211187.000309	1	Insulation Retainer Extension Side, Smooth Black
49	4211188.000309	1	Insulation Retainer Top Extension, Smooth Black
50	4211194.000309	1	Floor Support, Smooth Black
51	4211196.003	1	Insulation Snack Side
52	4211196.004	1	Insulation Snack Side
53	4211196.005	1	Insulation Snack Side
55	4211293	1	Harness, Snack Cabinet (not shown)
56	4211298	1	Harness, Fan to Relay Extension (not shown)
57	4211299	1	Harness, Drop Sensor Extension (not shown)
58	4211315	2	Temperature Sensor Bracket
59	4211369	2	Front Hopper Cover
62	4211533.000951	1	Cabinet Latch Plate
64	4211555	6	Beveled Foam Gasket (5.7 Ft. required)
65	4211610.000309	1	Fan Bracket, Smooth Black
66	4211770	2	Shipping Block, 1-1/4 Thick
67	4211896	1	Hopper Mount
68	4211897	2	Riser Filler, Galv
69	4212004	1	Baffle Cover
70	4212135.000330	1	Anti Cheat Left, Wrinkle Black
	4212135.000305	1	Anti Cheat Left, Light Gray
71	4212137.000330	1	Roller Bracket, Wrinkle Black
	4212137.000305	1	Roller Bracket, Light Gray
72	4212144	1	.250 Pin
74	7100042.000	1	Drain Tube
75	7200341.000	1	Tube Clip
76	7250135.002	2	Hole Plug, BPF-1
77	7250135.003	2	Hole Plug, BPF-3/4
78	8368656	1	Roller
79	1215531.000330	1	Hinge Pin Stake Weld, Wrinkle Black (not shown)
	1215531.000305	1	Hinge Pin Stake Weld, Light Gray (not shown)
80	4207933	4	Leg Leveler (not shown)
81	4205044.221	1	Serial Plate, Combo (not shown, not for sale)
83	4212614	1	Refer Shield Bead Jumper (not shown)
84	4200032.000	1	Label, Made In USA (not shown)
85	4050202	66	8-18 x 1/2 Phillips Hex Washer Head Screw, Tek
86	4050423	42	8-18 x 3/8 Phillips Pan Head Screw, Type A
87	1215556.000950	1	Upper Inner Hinge Pin Weld
88	4212288.000309	1	Fan Guard, Smooth Black
90	4211370	1	Air Duct, Combo

HOPPER PARTS



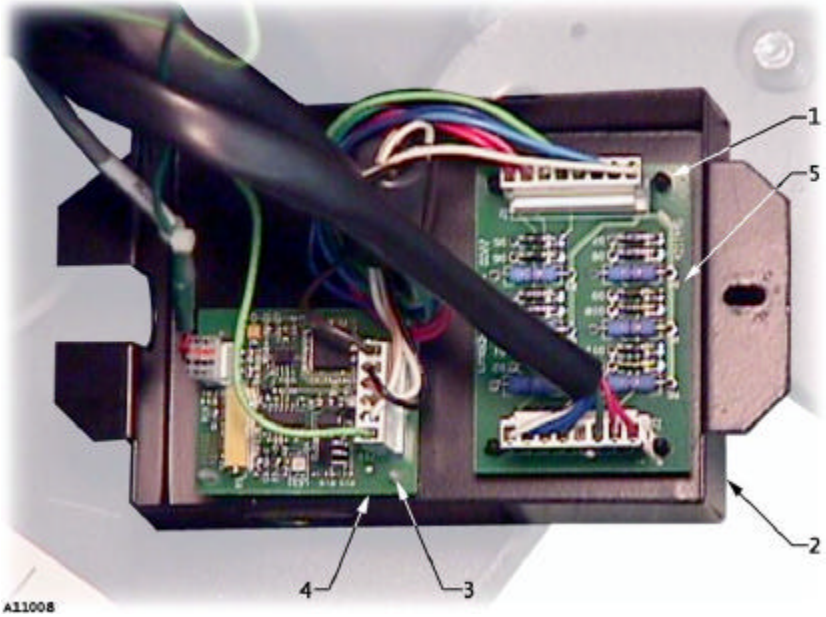
ITEM	PART NUMBER	QTY	DESCRIPTION
	1215613	1	Hopper Assembly, Combo/CB300-SAT
1	1215484	1	Hopper Weld
2	4050663	2	1/8 x 1/4 Rivet
3	4208122	1	Drop Sensor with Harness
4	4211353	1	Hopper Cover
5	8800955	2	6-32 Hex Nut, External Lock Washer

POWER CORD MOUNT PARTS



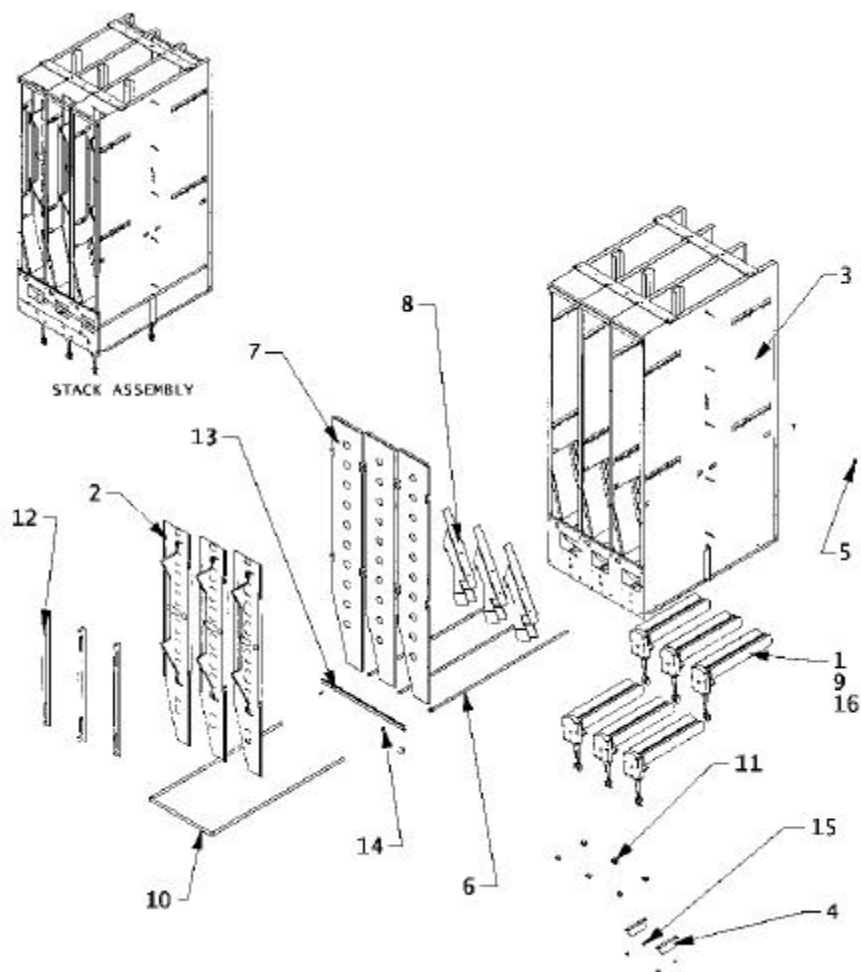
ITEM	PART NUMBER	QTY	QTY	QTY	DESCRIPTION
	1215566	1	-	-	Power Cord Mount Assembly, USA 120V
	1215566.002	-	1	-	Power Cord Mount Assembly, UK 230V
1	4033631.006	1	-	1	Power Cable, USA 120V
	4206770.004	-	1	1	Power Cable, UK 230V
2	4050423	2	2	2	8-18 x 3/8 Phillips Pan Head Screw
3	4211350	1	1	1	Power Cord Mount
4	4212241	1	1	1	Extension Cable
5	8359801.2	1	1	1	Snap Bushing, Split
6	4212312	-	-	1	RFI Filter, 10 Amp

SENSOR BOARD MOUNT ASSEMBLY



ITEM	PART NUMBER	QTY	DESCRIPTION
	1215615	1	Sensor Board Mount Assembly, Combo
1	4206879	4	Board Standoff, 3/8"
2	4211292.000309	1	Sensor Board Cover, Smooth Black
3	4211310.375	3	Standoff
4	4211492	1	Sensor Board
5	4211445	1	Combo Motor Driver Board

STACK PARTS

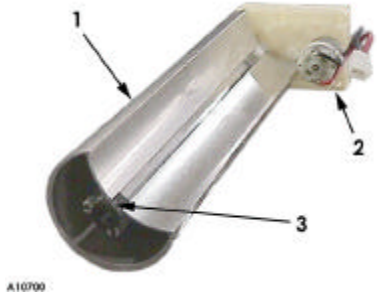


A11084

STACK PARTS

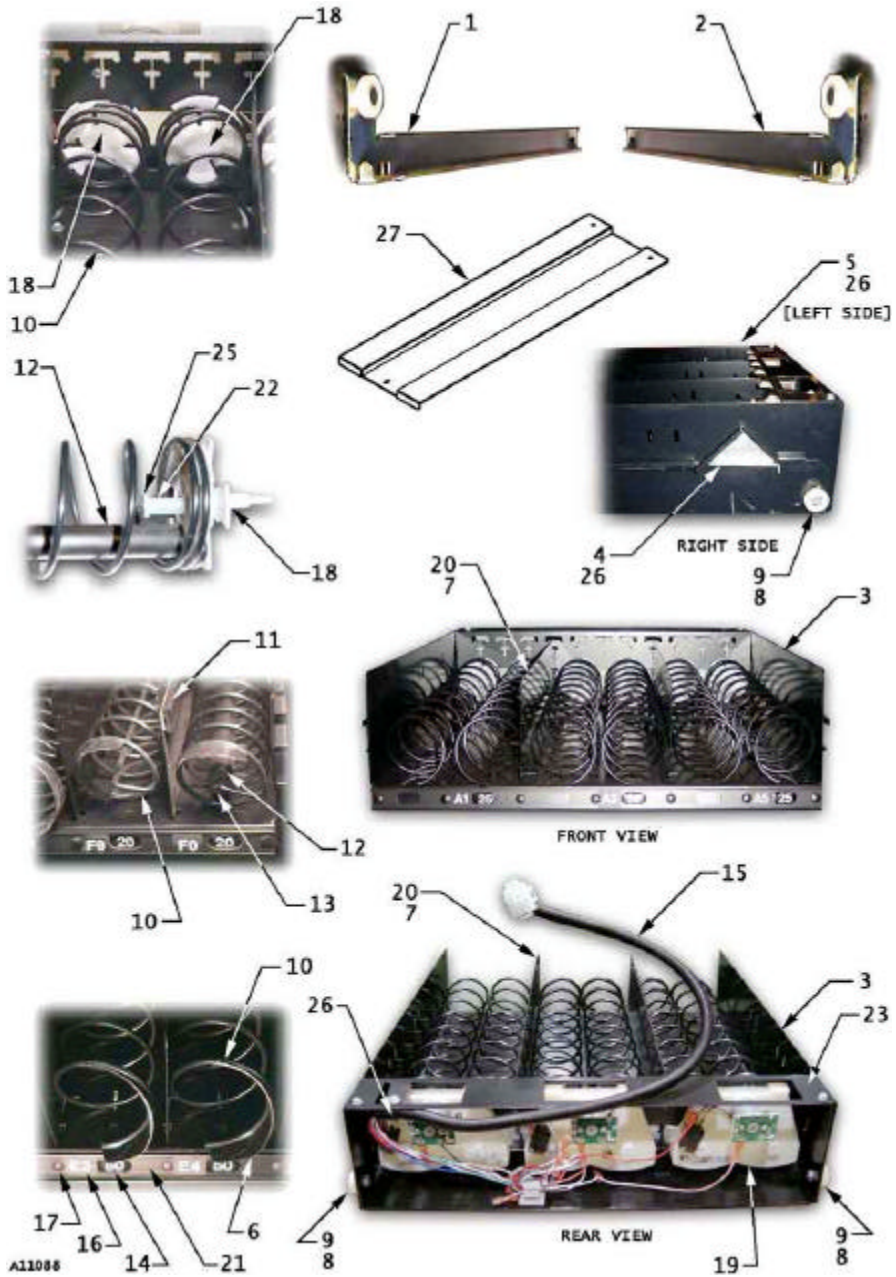
ITEM	PART NUMBER	QTY	DESCRIPTION
	1215608	1	Complete Stack Assembly, Combo
1	(see page 11)	6	Vend Mechanism Assembly
2	1215594	3	Product Retainer Assembly
3	1215607	1	Stack Rivet Assembly
4	1215995	2	Product Knockdown Stake Assembly
5	4050202	2	8-18 x 1/2 Phillips Hex Washer Head Screw, Tek
6	4210051	3	Drive Shaft
7	4210139	3	Rear Retainer
8	4210469	3	Center Filler
9	4210982	1	Can Rack Harness (not shown)
10	4211361	1	Loading Tray
11	4211368	11	Wire Clip
12	4211485	3	Latch Striker
13	4212231	1	Retainer Strip
14	8800636	2	8-18 x 1/2 Phillips Pan Head Screw, Type B
15	8800955	4	6-32 Hex Nut, External Lock Washer
16	4033704	6	Cable Tie (not shown)

VEND MECHANISM ASSEMBLY



ITEM	PART NUMBER	QTY	DESCRIPTION
	1215009	1	Vend Mechanism Assembly
1	4210050	1	Vend Cradle
2	4210052.001	1	Motor, Small Terminals
3	4210449	1	Center Idler

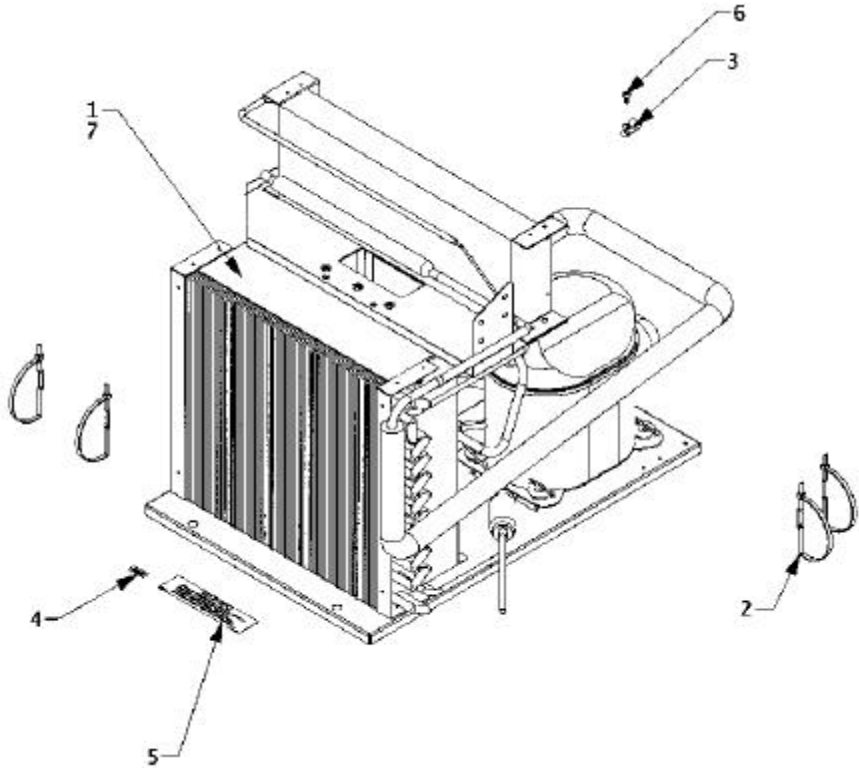
TRAY PARTS



TRAY PARTS

ITEM	PART NUMBER	QTY	DESCRIPTION
1	1200321.006	AR	Side Rail Rivet Assembly, Left
2	1200321.007	AR	Side Rail Rivet Assembly, Right
3	1215353.000309	1	Tray Weld, Smooth Black
4	4003027.000	1	Spacer, Load Rest Right (per bottom tray)
5	4003027.001	1	Spacer, Load Rest Left (per bottom tray)
6	4025748	AR	Product Ejector, CCW
7	4050420	AR	8-18 x 1/4 Phillips Hex Washer Head Screw
8	4050496	2	1/4-20 Nut, Two Way Lock (per tray)
9	4060670.001	2	Roller (per tray)
10	4200272.112309	AR	Auger, 18 Count Candy, Short, Smooth Black
	4200272.113309	AR	Auger, 11 Count Candy, Short, Smooth Black
	4200272.114309	AR	Auger, 11 Count Snack, Short, Smooth Black
	4200272.115309	AR	Auger, 9 Count Snack, Short, Smooth Black
	4200272.116309	AR	Auger, 13 Count Candy, Short, Smooth Black
	4200272.123309	AR	Auger, 5 Count Candy, Short, Smooth Black
	4202313.109309	AR	Auger, 13 Count Candy, Smooth Black (G&M 13/26)
	4211397.001309	AR	Auger, 8 Count Candy, CCW, Smooth Black
	4211397.002309	AR	Auger, 7 Count Candy, CCW, Smooth Black
	4211397.003309	AR	Auger, 10 Count Candy, CCW, Smooth Black
	4211397.004309	AR	Auger, 15 Count Candy, CCW, Smooth Black
	4211397.011309	AR	Auger, 7 Count Snack, CCW, Smooth Black
	4211397.013309	AR	Auger, 6 Count Candy, CCW, Smooth Black
	4211398.001309	AR	Auger, 8 Count Candy, CW, Smooth Black
	4211398.002309	AR	Auger, 7 Count Candy, CW, Smooth Black
	4211398.013309	AR	Auger 6 Count Dual, CW, Smooth Black
11	4202624.010	AR	G&M Spacer with Tape (G&M 13/26)
12	4202625.008	AR	G&M Helix Tube, 16-3/4" (G&M 13/26)
13	4203101	AR	End Cap (G&M 13/26)
14	4203341	1	Price Scroll (per selection)
	4212572	1	Price Scroll, Mexico (per selection)
15	4203508.003	1	Tray Harness, 3 Wide (per tray)
16	4203707	1	Selection Identification Label
17	4205329	7	Arrow Clip (per tray)
18	4209502	AR	Auger Coupling, Gray (G&M 13/26)
	4209502.700	AR	Auger Coupling, Black
19	4209663	AR	Motor, Snap In Single Coinco
	4209663.001	AR	Motor, Snap In Single Coinco G&M 180 (G&M 13/26)
	4210392	AR	Motor, Snap-In Dual
20	4210088.000309	AR	Divider, Smooth Black
21	4210892	1	Label Holder (per tray)
22	4210900	AR	Shoulder Bushing (G&M 13/26)
23	4210959.000309	1	Motor Back, Smooth Black (per tray)
24	8324099.5	1	Clamp, 3/8 x 7/16 (per tray)
25	8810035	AR	10-24 x 1 Truss Cross Head Screw (G&M)
26	4050667	4	1/8 x 1/4 Aluminum Pop Rivet (per bottom tray)
27	4210086.000309	AR	Helix Retainer, Smooth Black

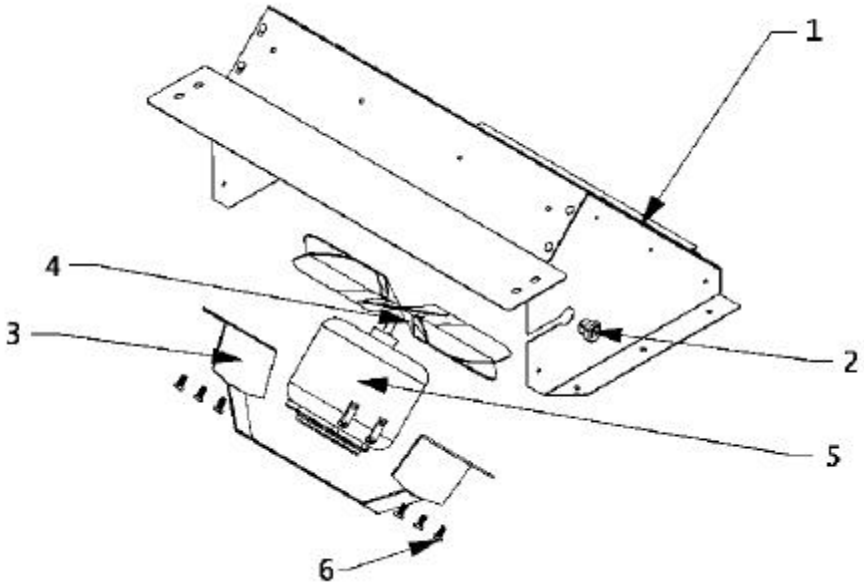
REFRIGERATION PARTS



ALL082

ITEM	PART NUMBER	QTY	QTY	DESCRIPTION
	1215647	1	-	Combo Refrigeration Assembly, 115V 1/3HP
	1215647.001		1	Combo Refrigeration Assembly, 220V 1/3HP
1	1215649	1	-	Refer Weld, 115V
	1215649.001	-	1	Refer Weld, 220V
2	4033712	4	4	Cable Tie, 7-3/8"
3	4060116	1	1	Plastic Wire Clamp
4	4205507.951	1	-	Serial Label, Combo 115V (not for resale)
	4205507.952	-	1	Serial Label, Deluxe 220V (not for resale)
5	7332492.000	1	1	Decal, Warning Warranty
6	8800638	1	1	10-16 x 3/8 Phillips Pan Head Screw
7	4205470	1	1	Refrigerant, R-134A (.39 lbs., not shown)

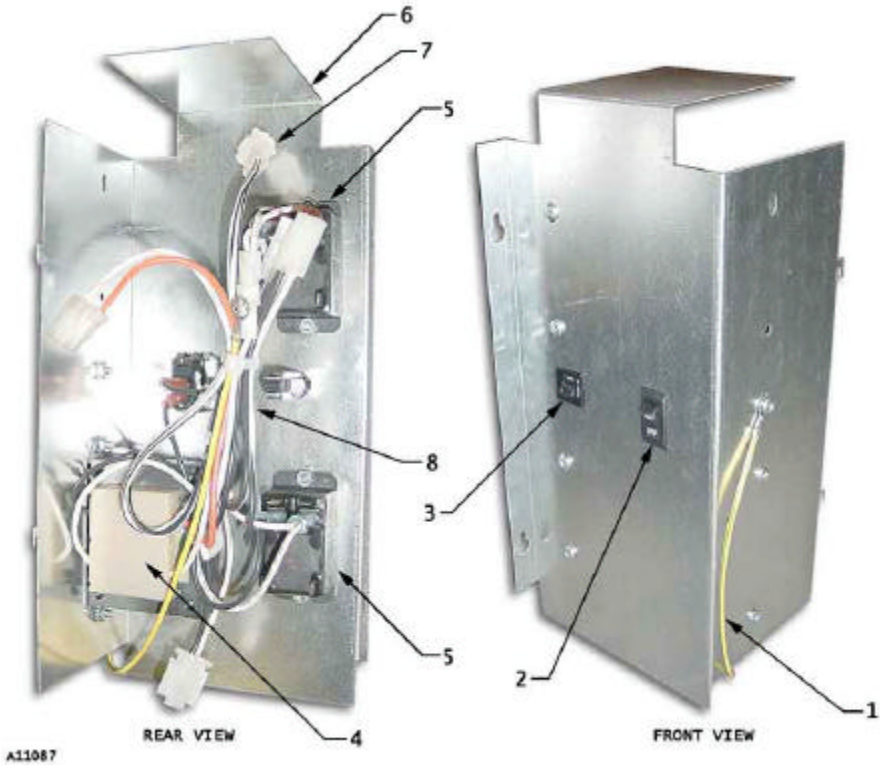
EVAPORATOR FAN PARTS



A11086

ITEM	PART NUMBER	QTY	QTY	DESCRIPTION
	1215294	1	-	Evaporator Fan Assembly, 110V
	1215294.001	-	1	Evaporator Fan Assembly, 220V
1	1215648	1	-	Evaporator Fan Rivet Assembly
	1215648.001	-	1	Evaporator Fan Rivet Assembly, 220V
2	4033683	1	1	Cord Strain Relief Bushing
3	4210618	1	1	Evaporator Fan Bracket
4	4210727	1	1	8" Evaporator Fan Blade
5	4210728	1	-	Evaporator Motor, 115V
	4210728.001	-	1	Evaporator Motor, 230V
6	8801204	6	6	10-16 x 3/8 Phillips Truss Head Screw

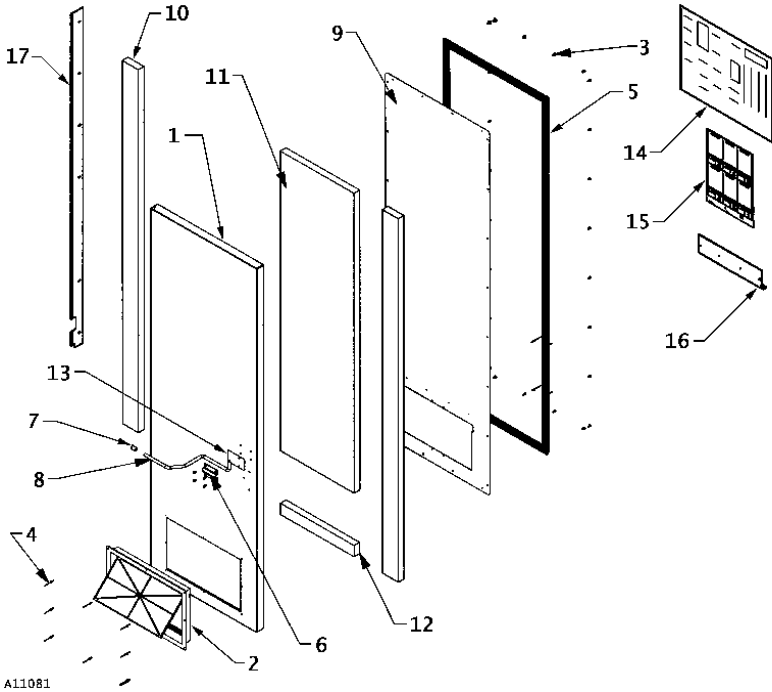
ELECT BOX ASSEMBLY



A11087

ITEM	PART NUMBER	QTY	QTY	DESCRIPTION
	1215619	1	-	Elec Box Assembly 110V
	1215619.001	-	1	Elec Box Assembly, 230V
1	1211465.002	1	-	16" Ground Wire
2	4202088	1	1	Switch, Rocker
3	4203467.003	1	1	3 Amp Circuit Breaker
4	4206570.000	1	-	Transformer, 110V Input/24V Out
	4206570.001	-	1	Transformer, 230V Input/24V Out
5	4206643	2	2	Relay, DPST 24VAC/DC30A
6	4210890	1	1	Elect Box Front
7	4210962	1	1	Harness, Relay Extension
8	4211297	1	1	Harness, Combo Power Box

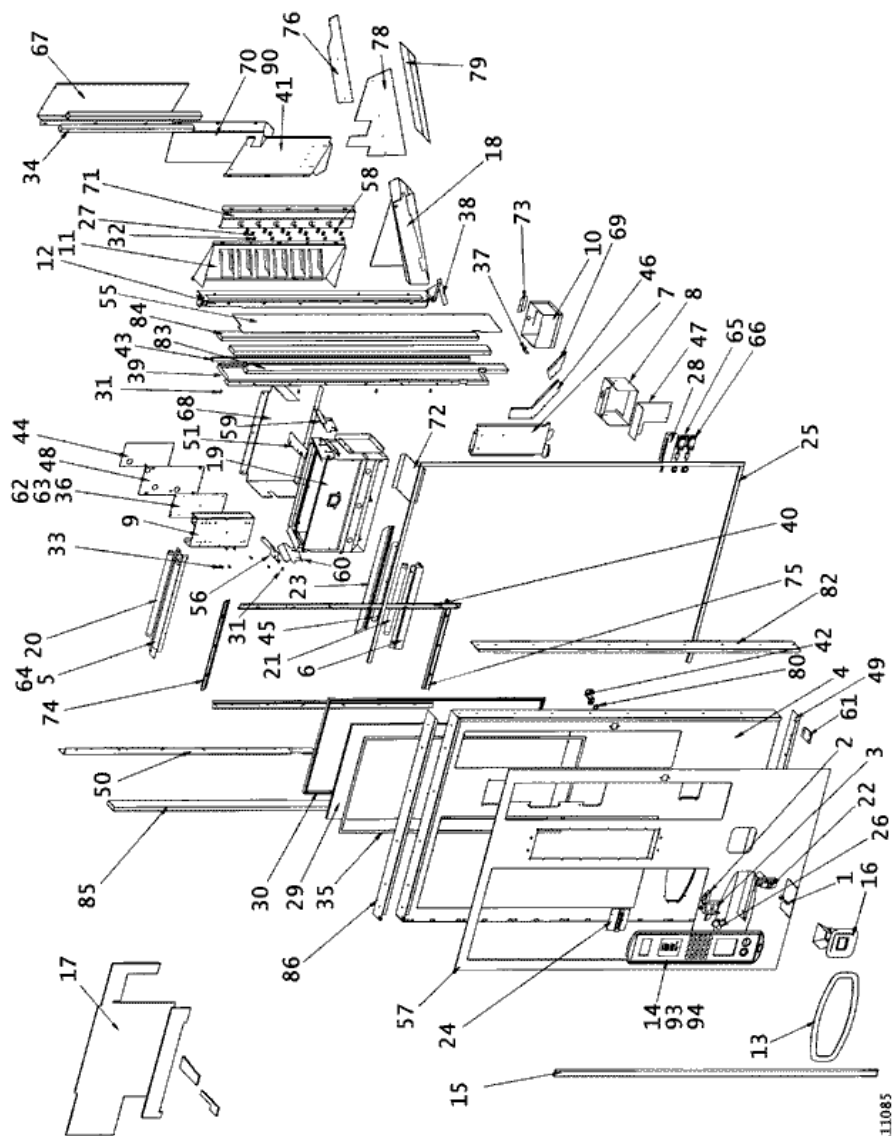
INNER DOOR PARTS



A11081

ITEM	PART NUMBER	QTY	DESCRIPTION
	1215406	1	Inner Door Assembly
1	1215405.000309	1	Inner Door Weld, Smooth Black
2	1215643	1	Vend Port Assembly
3	4050423	28	8-18 x 3/8 Phillips Pan Head Screw, Type A
4	4050667	12	1/8 x 1/4 Aluminum Pop Rivet
5	4201203.005	1	Door Gasket, 54-1/8 x 18-15/16
6	4206219.001950	1	Freezer Door Bracket, Zinc
7	4206975	1	3/8 ID End Cap
8	4209960	1	Freezer Handle
9	4210748	1	Inner Door Liner
10	4211197	2	Insulation, Inner Door, 55.187 x 2.79
11	4211197.001	1	Insulation, Inner Door, 45.51 x 12.96
12	4211197.002	1	Insulation, Inner Door, 1.70 x 12.96
13	4211201	1	Inner Door Protector
14	4212259	1	Label, Combo Loading & Drop Sensor Instructions
15	4211548	1	Label, Combo Loading Chart
16	4212180	1	Product Knockdown
17	4211199.000309	1	Partition Extension Stop, Smooth Black

DOOR PARTS

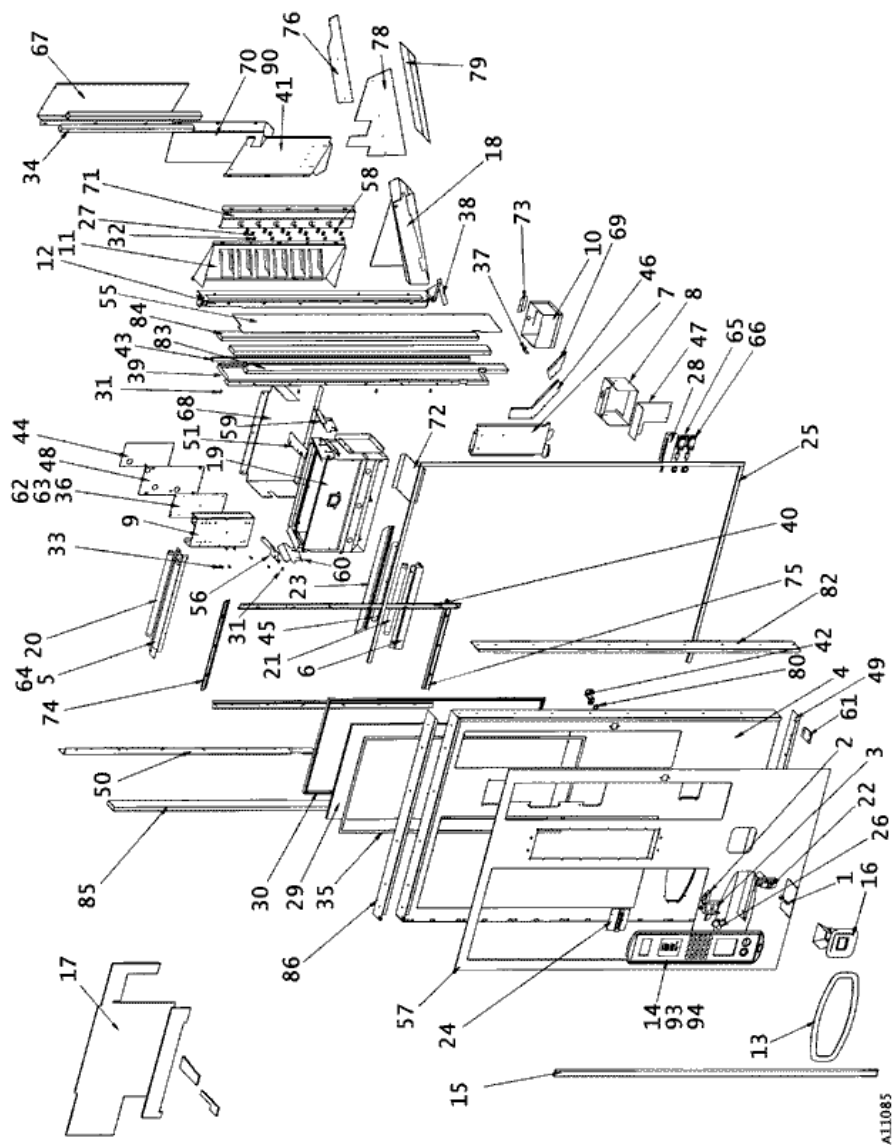


111085

DOOR PARTS

ITEM	PART NUMBER	QTY	DESCRIPTION
1	4060330	1	Lock, Cylinder, 2 Keys
	8382998	1	Clip, Latch Retainer
2	1212097.000950	1	Coin Chute Weld, Zinc
	1215694.000950		Coin Chute Weld, Plated
3	1215127	1	Coin Release Assembly
4	1215310.000330	1	Door Weld, Wrinkle Black
	1215310.000305	1	Door Weld, Light Gray
5	1215396	1	Light Assembly, Top
6	1215397	1	Light Assembly, Bottom
7	1215449.000309	1	Coin Chute Mount Weld, Smooth Black
8	1215450.000309	1	Coin Box Holder Weld, Smooth Black
9	1215467.000309	1	Board Mount Weld, Smooth Black
10	1215474	1	Coin Box Weld
11	1215480.000309	1	Display Weld, Smooth Black
12	1215525	1	Light Assembly, Can/Bottle
13	1215543.000330	1	Delivery Bezel Weld, Wrinkle Black
14	(see page 22)	1	Selector Panel Assembly
15	1215690	1	Left Trim Assembly
16	1215732	1	Coin Cup Extension Fixture, Wrinkle Black
17	1215739	1	Insulation Assembly
18	1216030	1	Delivery Chute Weld
19	(see page 24)	1	Delivery Box Assembly
20	4033549	1	Fluorescent Lamp, F15T8/CW/18"
21	4033668	1	Fluorescent Lamp, F14T8/CW
22	4060694.001	1	Flush Handle Lock, Black
23	4200160.006	1	Light Shield
24	4200660	1	Display Board, #406721 Readout 90 S
25	4202255	13	Gasket, 1/4 x 3/4 with Adhesive (12.4 Ft. required)
26	4203187	1	Coin Return Button
27	4203341	6	Price Scroll
28	4203625	1	Ballast Assembly
	4203625.001	1	Ballast Assembly, 220V 50Hz
29	4203946.006	1	Display Window, Combo
30	4203947.006	1	Window Gasket, Combo
31	4205329	6	Arrow Clip
32	4206118	6	Price Scroll 1.9
33	4206879	7	Board Standoff, 3/8"
34	4208243	3	Foam Tape, 1" x 1" Open Cell (2.3 Ft. required)
35	4209845	23	Protective Window Seal (22.3 Ft. required)
36	4209893.002	1	SM6 Control Board
37	4210216	1	Latch
38	4210769	1	Harness Retainer
39	4210772.000309	1	Partition Extension, Smooth Black
40	4210774.000309	2	Window Retainer Side, Smooth Black
41	4210778.000309	1	Cover Plate Anti Cheat, Smooth Black
42	4210905.000951	1	Cam Lock, Plated
43	4210935	5	9/16 x 3/4 Gasket (4.6 Ft. required)
44	4210989.001	1	Controller Decal
45	4211085.000306	1	Light Retainer Weld, White
46	4211149.000309	1	Coin Chute Cover, Smooth Black

DOOR PARTS

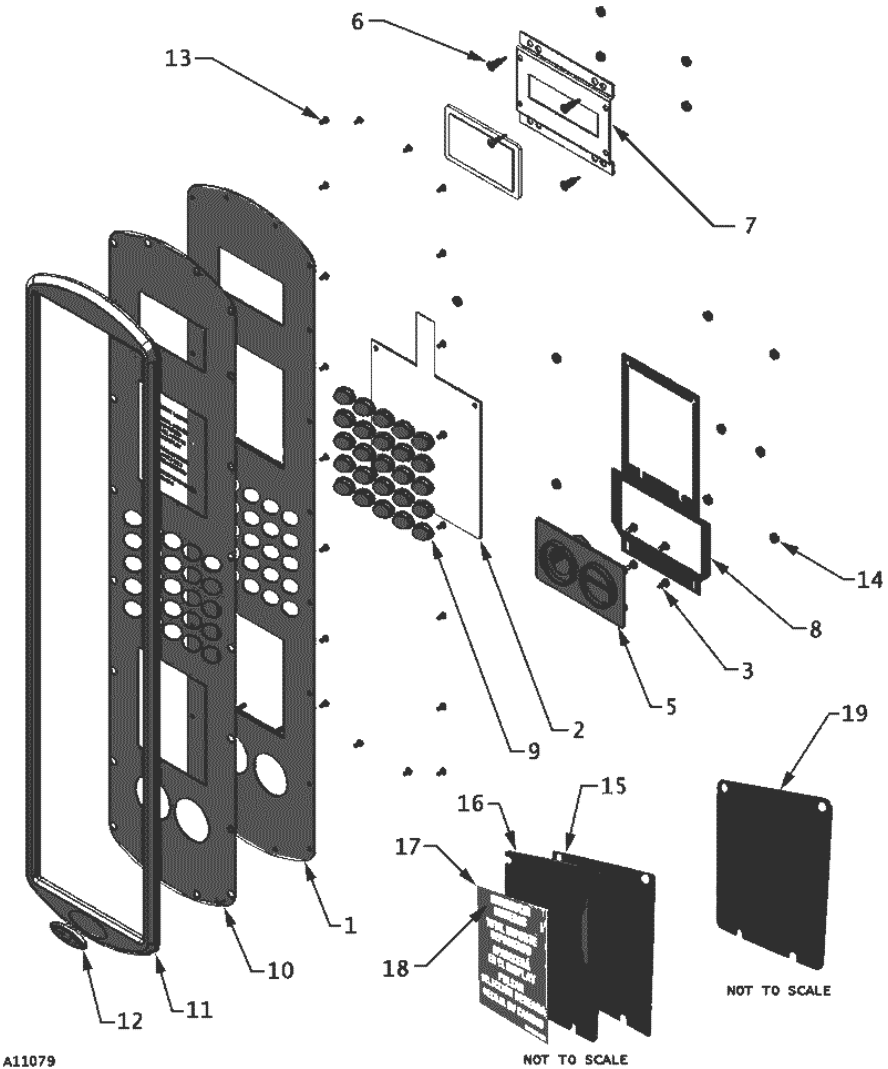


A11085

DOOR PARTS

ITEM	PART NUMBER	QTY	DESCRIPTION
47	4211170.000309	1	Ballast Cover, Smooth Black
48	4211175.000309	1	Board Cover, Smooth Black
49	4211181.000330	1	Sign Face Retainer Bottom, Wrinkle Black
	4211181.000305	1	Sign Face Retainer Bottom, Light Gray
50	4211184.000309	1	Insulation Retainer Hinge Side, Smooth Black
51	4211193.000309	1	Coin Cup Deflector, Smooth Black
55	4211205.000309	1	Partition Extension Cover, Smooth Black
56	4211210.000309	1	Extension Plate, Smooth Black
57	4211217	1	Lexan Front, Combo Slate
	4211217.XXX	1	Lexan Front, Special Order
58	4211263	6	ID Scroll
59	4211275.000309	1	Product Deflector Right, Smooth Black
60	4211276.000309	1	Product Deflector Left , Smooth Black
61	4211283.000309	1	Door Lift, Smooth Black
62	4211300	1	Door Harness (not shown)
63	4211301	1	Control Board Harness (not shown)
64	4211302	1	Lamp Power Harness (not shown)
65	4211387	1	Terminated Ballast, 110V
	4211493	1	Terminated Ballast, 220V
66	4211388	1	Terminated Ballast, 110V
	4211494	1	Terminated Ballast, 220V
67	4211400.000309	1	Can/Bottle Display Holder , Smooth Black
68	4211516.000309	1	Insulation Cover Plate, Smooth Black
69	4211540.000309	1	Chute Extension Cover, Smooth Black
70	4211578.000309	1	Coin Mech Cover, Smooth Black
71	4211644.000309	1	Product Display ID, Smooth Black
72	4212022.000309	1	Insulation Cover Retainer, Smooth Black
73	4212109	1	Coin Box Handle
74	4212145.000309	1	Top Window Retainer, Smooth Black
75	4212146.000309	1	Bottom Window Retainer, Smooth Black
76	4212239	1	Chute Overlay Side
78	4212262	1	Chute Overlay Side
79	4212263	1	Chute Overlay Bottom
80	8801036	1	1/2 Split Lock Washer
82	4212399.000330	1	Side Lexan Retainer, Wrinkle Black
	4212399.000305	1	Side Lexan Retainer, Light Gray
83	4212625	1	Insulation Snack Side
84	4211196.001	2	Insulation Snack Side
85	4211196.002	1	Insulation Snack Side
86	4212398.000330	1	Top Lexan Retainer, Wrinkle Black
	4212398.000305	1	Top Lexan Retainer, Light Gray
87	4025735.900	2	Trim, Lok Black (1.6 Ft Req'd, not shown)
88	4060366.001	1	Lock, Coin Box BH076 (not shown)
89	4200238	2	Self-Adhesive Feet (not shown)
90	(see page 26)	1	Coin Mech
93	(see page 26)	1	Validator or Card Reader
94	8800956	4	8-32 Hex Nut, External Lock Washer (not shown)
95	7202038.998	1	Lock & Key 80000 Series (not shown)

SELECTOR PANEL PARTS

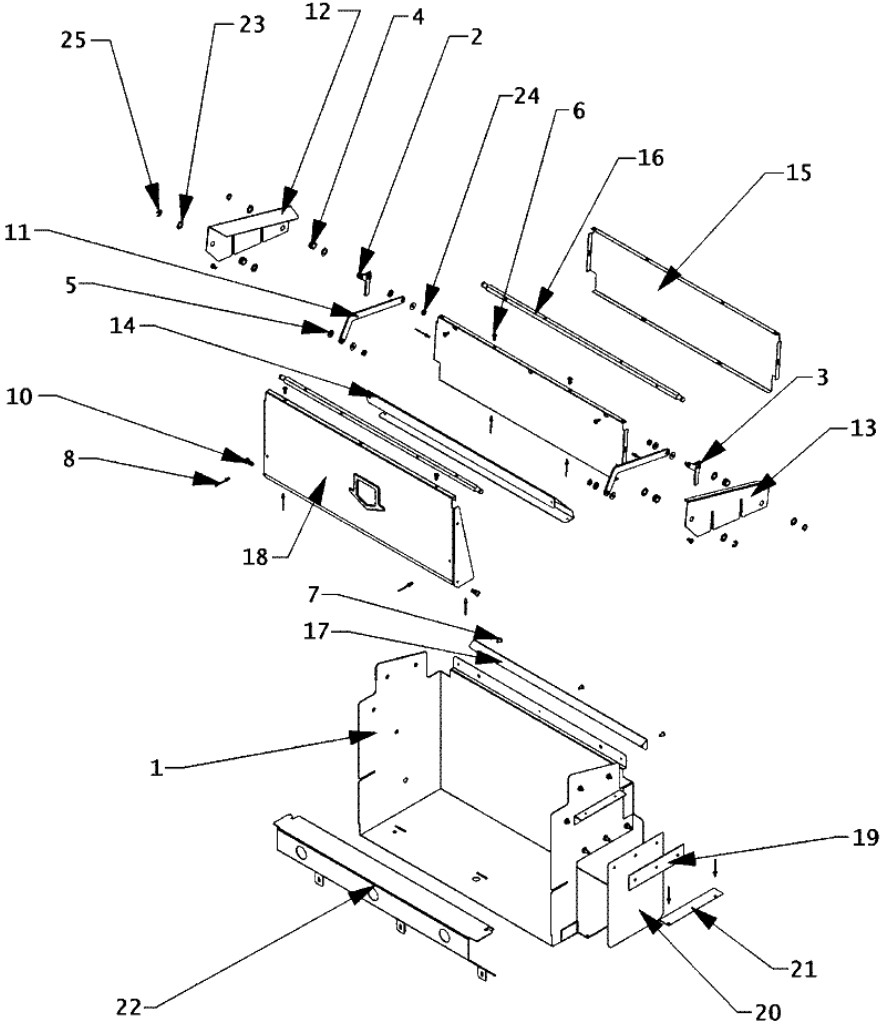


A11079

SELECTOR PANEL PARTS

ITEM	PART NUMBER	QTY	QTY	QTY	DESCRIPTION
	1215544	1	-	-	Selector Panel Assembly, 1-1/8, 1-Hole
	1215544.002	-	1	-	Selector Panel Assembly, 1-3/8, 2-Hole
1	1215391.000309	-	1	1	Selector Plate Weld, Smooth Black 2-Hole
	1215391.001309	1	-	1	Selector Plate Weld, Smooth Black 1-Hole
2	1215547.000	1	1	1	Keypad Assembly
3	4050423	4	4	4	8-18 x 3/8 Phillips Pan Head Screw, Type A
4	4202841.009	1	1	1	Readout Window, Blue
5	4203186.004	1	-	1	Coin Insert, 1-1/8 Black
	4203186.005	-	1	1	Coin Insert, 1-3/8 Black
6	4206879	4	4	4	Board Standoff, 3/8"
7	4210239.001309	1	1	1	Display Mount, Smooth Black
8	4210954.000309	1	1	1	Insert Mount , Smooth Black
9	4210978	25	25	25	Ellipse Button
10	4211227	1	-	1	Selector Panel Decal
	4211227.001	-	1	1	Selector Panel Decal, 2-Hole
11	4211230.000330	1	1	1	Selection Bezel, Wrinkle Black
12	4212012	1	1	1	Logo Decal
13	7320289.000	20	20	20	6-32 x 1/4 Phillips Pan Head Screw, taptite
14	8800956	14	14	14	8-32 Hex Nut, External Lock Washer
15	4201907.001309	-	-	1	Validator Plate, Smooth Black
16	4209639	-	-	1	Validator Filler
17	4209656.001309	-	-	1	Pop Plate, Smooth Black
18	4210396	-	-	1	Filler Decal, Gold Wittern Logo
	4210396.001	-	-	1	Filler Decal, Spanish Instructions
	4210396.002	-	-	1	Filler Decal, French Instructions
	4210396.003	-	-	1	Filler Decal, Dutch Instructions
	4210396.004	-	-	1	Filler Decal, German Instructions
	4210396.005	-	-	1	Filler Decal, Portuguese Instructions
	4210396.006	-	-	1	Filler Decal, Italian Instructions
	4210396.007	-	-	1	Filler Decal, English Instructions
	4210396.008	-	-	1	Filler Decal, Danish Instructions
19	1214495.004309	-	-	1	Validator Filler Weld, Smooth Black

DELIVERY BOX PARTS



A11080

DELIVERY BOX PARTS

ITEM	PART NUMBER	QTY	DESCRIPTION
	1216033	1	Delivery Box Assembly
1	1216031.000309	1	Wrapper Weld, Smooth Black
2	1216040	1	Anti-Cheat Link, Left
3	1216040.001	1	Anti-Cheat Link, Right
4	4025263.001	4	Type #5 Nyliner 5/16 ID
5	4030100	8	Bushing, Spacer
6	4050239	6	8-32 x 3/8 Phillips Pan Head Screw, Type T
7	4050423	3	8-18 x 3/8 Phillips Pan Head Screw, Type A
8	4050663	10	1/8 x 1/4 Pop Rivet
9	4203386.042	2	8-32 x 3/8
10	4205329	2	Arrow Clip
11	4207695.001950	2	Delivery Link, Plated
12	4207772.000309	1	Side Deflector, Right, Smooth Black
13	4207772.001309	1	Side Deflector, Left, Smooth Black
14	4208365.000309	1	Door Back, 3W, Smooth Black
15	4208366.000309	2	Anti Cheat, 3W, Smooth Black
16	4208376.003	2	Delivery Shaft, 3W, Zinc
17	4211154.000309	1	Wrapper Back, Smooth Black
18	4211484.000309	1	Delivery Door, Combo, Smooth Black
19	4212253	1	Curtain Retainer
20	4212254	1	Air Curtain
21	4212255	1	Delivery Protect
22	4212256.000309	1	Delivery False Bottom, Smooth Black
23	8324353	8	5/16 ID Flat Washer
24	8800956	4	8-32 Hex Nut, External Lock Washer
25	8801080	4	E-Ring, 5/16

COIN MECH



A11104

ITEM	PART NUMBER	QTY	DESCRIPTION
	4200419.GX	1	Coin Mech, Coinco 9302GX
	4200419.CGX	1	Coin Mech, Coinco 9302CGX
	4206699.001	1	Coin Mech, Coinco GBP-G801 Globa
	4206699.026	1	Coin Mech, Coinco MXP-G703/MDb
	4206699.037	1	Coin Mech, Jofemar E/MDb Mexico
	4206699.039	1	Coin Mech, Mars CM MDb TRC6512 D
	4206699.042	1	Coin Mech, Jofemar J200 E/MDb
	4206699.061	1	Coin Mech, Coinco DOP-F701 4 Tube

VALIDATOR - CARD READER



A11105			
ITEM	PART NUMBER	QTY	DESCRIPTION
	4205536.024	1	Validator, Coinco BA32F
	4205536.061	1	Validator, Conlux NBM 3120 MDB
	4205536.063	1	Validator, Cash Code Costa Rica
	4205536.124	1	Validator, Coinco MAG32SA
	4205536.129	1	Card Reader, Cash Code MX5-MCP-ST43-ML
	4207996.007	1	Validator, Mars Val VN2502

SERVICE PACKAGE

ITEM	PART NUMBER	QTY	QTY	QTY	DESCRIPTION
	1215617	1	-	-	Service Package
	1215617.001	-	1	-	Service Package, Spanish
	1215617.002	-	-	1	Service Package, Germany
1	4020697	1	1	1	Service Manual Envelope
2	4201907.001309	1	1	-	Validator Plate, Smooth Black
3	4202750	1	1	1	Warranty Card
4	4206816	1	1	1	Safety Manual
5	4211417	1	1	1	Service Manual, Combo 3/6
6	4211472	1	1	1	Keypad Overlay
7	4212619	1	1	1	Addendum, SM6 Controller 67185-3
8	4202520.001	-	1	-	Price Label, 75Pts,125Pts,100Pts
9	4203793.001	-	-	1	Dollar Label, \$1
10	4203793.002	-	-	1	Dollar Label, \$2
11	4203793.003	-	-	1	Dollar Label, \$3
12	4203793.004	-	-	1	Dollar Label, \$4
13	4203793.005	-	-	1	Dollar Label, \$5

NOTES

The contents of this publication are presented for informational purposes only, and while every effort has been made to ensure their accuracy, they are not to be construed as warranties or guarantees, express or implied, regarding the products or services described herein or their use or applicability. We reserve the right to modify or improve the designs or specifications of such products at any time without notice.



VendNet™
 165 North 10th Street
 Waukee, Iowa 50263
 United States of America



	USA & Canada	International
Service	(800) 833-4411	(515) 274-3641
Parts	(888) 259-9965	
Email	vendnet@vendnetusa.com	
Web Site	www.vendnetusa.com	