



TABLE TOP GLASSFRONT MERCHANDISER MODEL 3003-MDB

PARTS MANUAL



Table of Contents

| | |
|---|-----------------|
| <i>GENERAL INFORMATION</i> | <i>1</i> |
| Payment | 1 |
| Order By Mail | 1 |
| To Order By Fax | 1 |
| To Order By Phone | 1 |
| Returns | 1 |
| Limitation Of Liability | 1 |
| <i>FINAL ASSEMBLY</i> | <i>2</i> |
| <i>CABINET BOTTOM ASSEMBLY</i> | <i>4</i> |
| <i>CABINET TOP ASSEMBLY</i> | <i>6</i> |
| <i>TRAY ASSEMBLY</i> | <i>8</i> |

GENERAL INFORMATION

You may order parts from your distributor or from VendNet™. If you have any questions when placing your order, please call and we'll be happy to assist you.

Please provide the following information when placing your order:

- Quantity Required
- Part Number
- Description of the part
- Shipping and Billing Address
- Description
- Preferred Method of Shipment
- Vendor Model Number
- Customer Account Number
- Serial Number

MINIMUM ORDER \$25.00. You may wish to inquire on prices of parts at the time of your order. If you order less than the minimum, please check our catalog for other parts you may require to bring your order up to the minimum order.

Payment

OPEN ACCOUNT with approved credit.

MASTER CARD - VISA - C.O.D.

To Order By Mail

You may place your order for replacement parts by providing the necessary information as requested above, and mailing your order to:

VendNet™
165 North 10th Street
Waukee, Iowa 50263-0488

Order forms are available upon request from VendNet™, or you may use your own purchase order form.

To Order By Fax

1-515-987-4447

You may Fax your order for replacement parts by providing the necessary information as requested above to VendNet™.

If you have any questions, check out our Website: <http://www.vendnetusa.com> or please call VendNet™. Ask for the Parts Department. We will be happy to assist you. E-Mail: VendNet@Ecity.net

To Order By Phone

USA 1-800-833-4411

Canada 1-800-858-4730

Other locations 1-515-274-3641

You may call in your order for replacement parts. Ask for VendNet™ Parts Department. Please provide the necessary information, as requested above, to allow us to provide you with prompt courteous service.

Returns

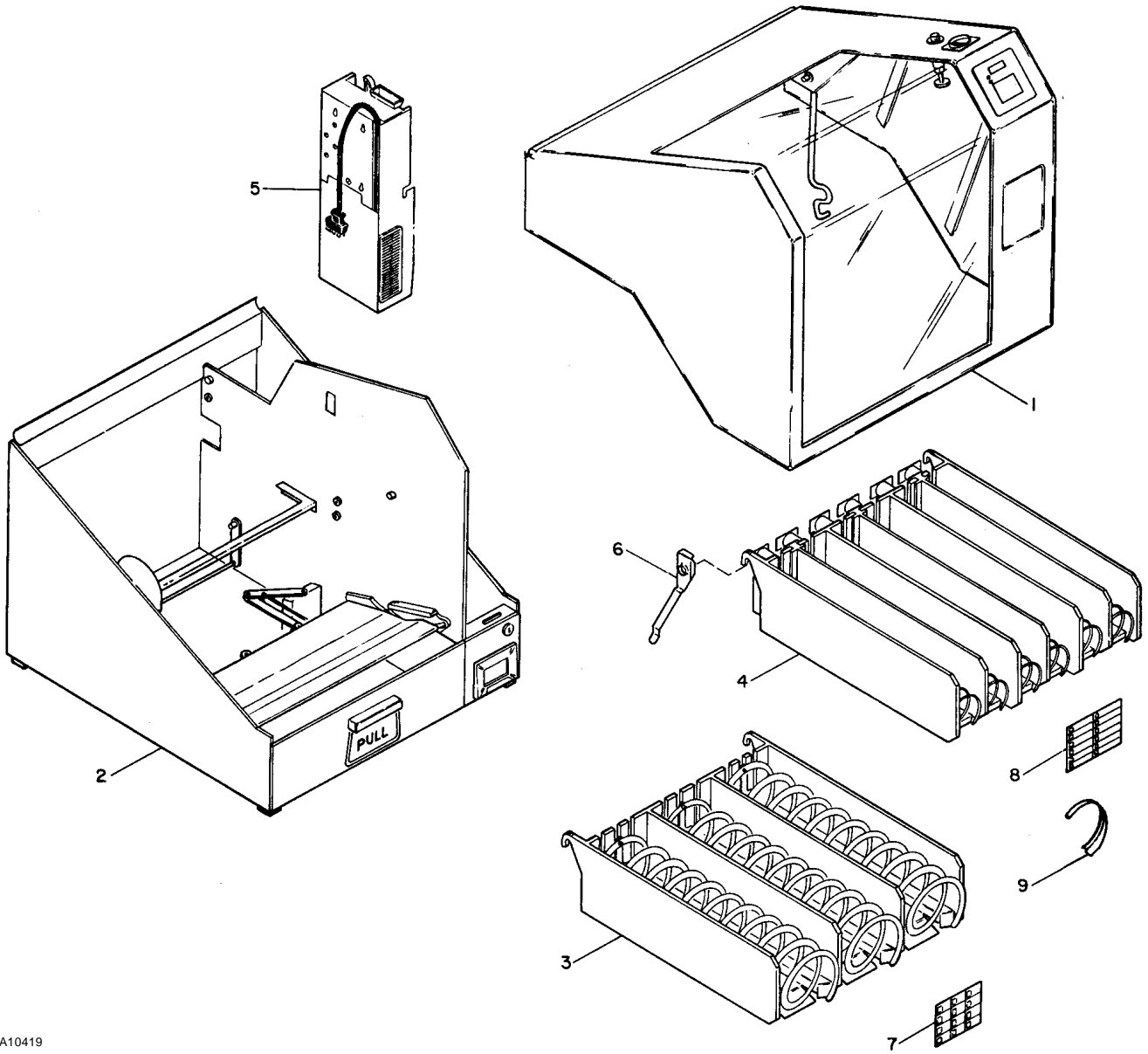
RESTOCKING CHARGE 20%. A restocking charge of 20% will apply to merchandise accepted by VendNet™ for return, except items processed as warranty.

All returned items must be accompanied by a Return Form clearly stating the reason. Returns are to be shipped freight prepaid to VendNet™, 165 North 10th Street, Waukee, Iowa 50263-0488. (Return Forms are available upon request from VendNet™.)

Limitation Of Liability

VendNet™ shall not be liable for any injury, loss or damage, whether direct, incidental or consequential arising out of the use of or the inability to use any part, parts or products sold by VendNet™. The remedies of the buyer set forth herein are exclusive, and the liability of VendNet™. With respect to any contract or sale or anything done in connection herewith, whether in connection therewith, whether in contract, in tort, under any warranty, or otherwise, shall not, except as expressly provided herein, exceed the price of the part, parts or products on which such liability is based. Any statements or representations about the parts or product, other than those contained herein, do not constitute warranties and shall not be relied on by the buyer and shall have no force of effect unless contained in a written agreement signed by officers of VendNet™.

FINAL ASSEMBLY

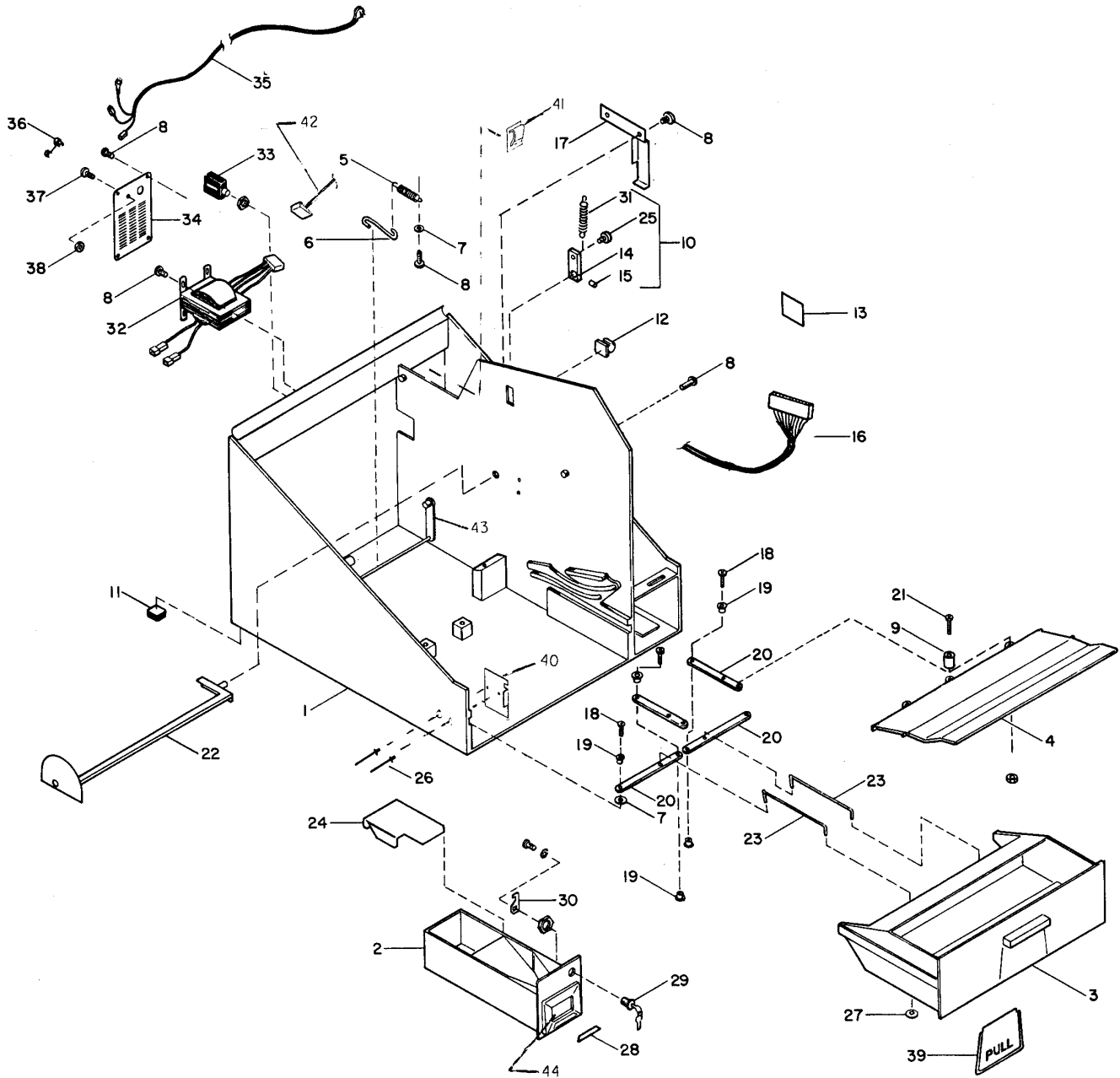


A10419

FINAL ASSEMBLY

| ITEM | PART NUMBER | QTY | DESCRIPTION |
|-------|-------------|-------------|--|
| 1 | | 1 | Complete Top Cabinet Assembly – See Page 6 |
| 2 | | 1 | Complete Bottom Cabinet Assembly – See Page 4 |
| 3 | 1214402-001 | 1 | Tray Assembly – 3-Select – See Page 8 |
| 4 | 1214402-002 | 1 | Tray Assembly – 6-Select – See Page 8 |
| 5 | 4206699-001 | As Required | Coin Mechanism – GBP-G801 Globola – Great Britain |
| | 4206699-023 | As Required | Coin Mechanism – GB-803 Globola – Great Britain |
| | 4200419-GX | As Required | Coin Mechanism – 9302GX Coinco - USA |
| 6 | 4200239 | 1 | Tray Hold Down |
| 7 | 4208273 | 1 | Selection Label |
| 8 | 4020867 | 1 | Price Sheet - \$0.25 - \$0.60 |
| | 4020868 | 1 | Price Sheet - \$0.65 - \$1.00 |
| | 4020869 | 1 | Price Sheet - \$1.05 - \$1.40 |
| | 4200012 | Optional | Price Sheet - \$1.45 - \$1.80 |
| | 4200013 | Optional | Price Sheet - \$1.85 - \$2.35 |
| | 4200014 | Optional | Price Sheet - \$2.40 - \$3.15 |
| 9 | 4025748 | 6 | Product Ejector (6-Select Tray) |
| Not | 4208252 | 1 | Service Manual |
| Shown | 4050788 | 2 | 10x1-1/2 Phillips RH Wood Screw (Attaching Part for Tabletop to Surface) |

CABINET BOTTOM ASSEMBLY

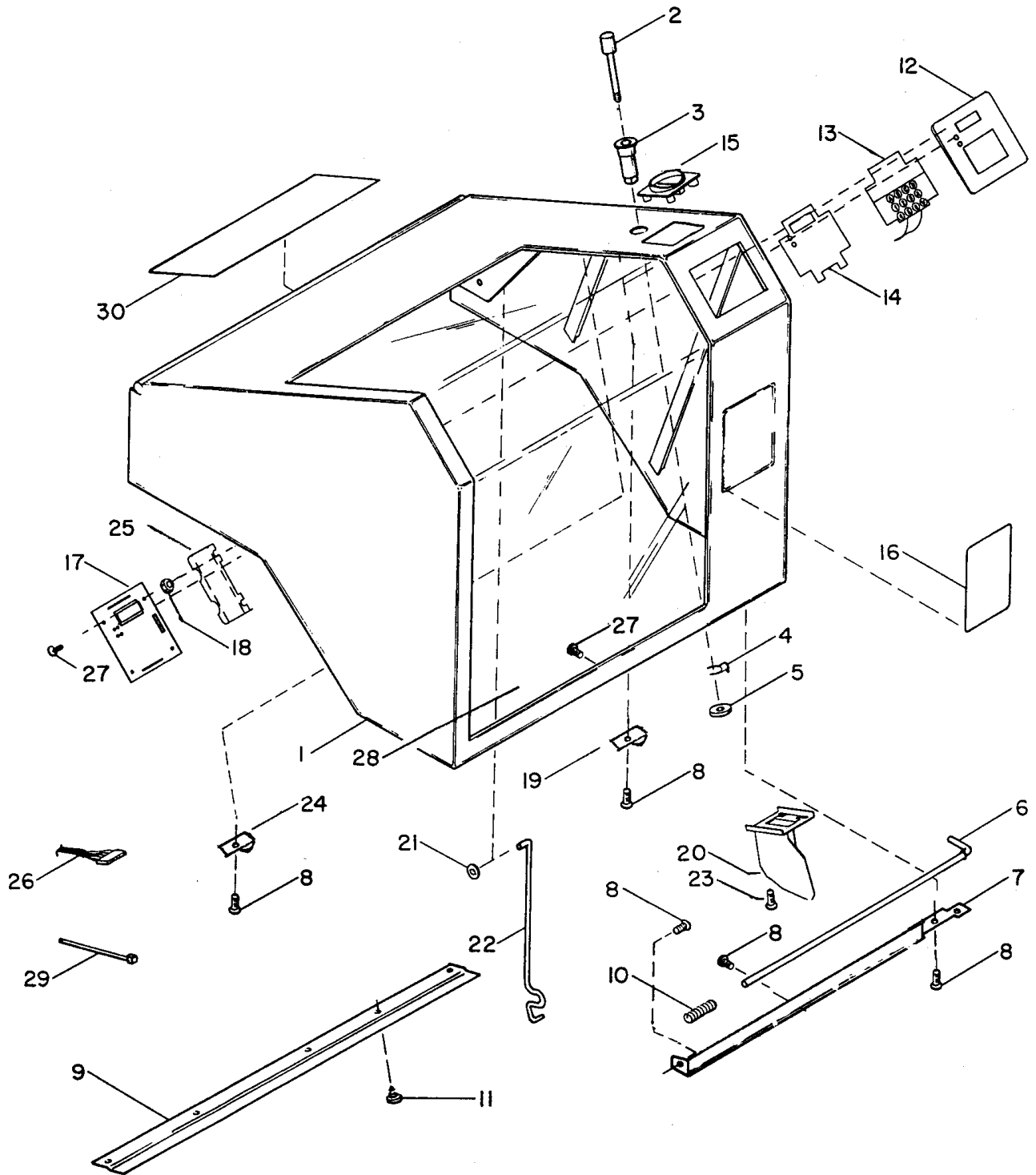


A10420

CABINET BOTTOM ASSEMBLY

| ITEM | PART NUMBER | QTY | DESCRIPTION |
|------|-------------|-----|--|
| 1 | 1214398 | 1 | Cabinet Bottom & Back Assembly |
| 2 | 1214403 | 1 | Coin Drawer Assembly |
| 3 | 4025781-001 | 1 | Delivery Drawer |
| 4 | 4025779-001 | 1 | Anti-Theft with Rods |
| 5 | 4021066 | 1 | Spring |
| 6 | 4060073 | 1 | Spring Hook |
| 7 | 8801011 | 3 | #8 Washer |
| 8 | 8800636 | 12 | 8-18x1/2 Phillips PH Type B |
| 9 | 4030412 | 2 | Bushing |
| 10 | 1200061 | 1 | Cam Assembly |
| 11 | 4200238 | 5 | Cabinet Feet – Self-Adhesive |
| 12 | 4200330-003 | 1 | Clip – Deklip Series 025 |
| 13 | 4200032-000 | 1 | Made In USA Label |
| 14 | 8620647-002 | 1 | Cam |
| 15 | 4050205 | 1 | 8-32 Set Screw |
| 16 | 4208256 | 1 | Main Harness |
| 17 | 4200184 | 1 | Prop Retainer |
| 18 | 4050337 | 4 | 10-32x5/8 Phillips RH |
| 19 | 4030412 | 8 | Bushing – Slide Linkage |
| 20 | 4205110 | 4 | Link – Plated |
| 21 | 4050337 | 2 | 10-32x5/8 Phillips RH |
| 22 | 1200058 | 1 | Loading Support Weld Assembly |
| 23 | 4060700 | 2 | Slide Pull Wire – Anti-Theft |
| 24 | 4200213 | 1 | Coin Stop |
| 25 | 4050204 | 1 | 8-32x1/4 Phillips PH MS |
| 26 | 4050667 | 2 | 1/8x1/4 Aluminum Pop Rivet |
| 27 | 8337564 | 4 | 1/8” Push On Nut |
| 28 | 4203903 | 1 | Change Label |
| 29 | 4060710 | 1 | Lock w/ Keys |
| 30 | 4003077-002 | 1 | Lock Cam (Use with Item 30) |
| 31 | 4021015 | 1 | Spring - .275 x 1-7/8 |
| 32 | 4209221 | 1 | Transformer Assembly – 230 V |
| | 4208271 | 1 | Transformer Assembly – 220 V, 230 V, 240 V |
| | 4206570-000 | 1 | Transformer Assembly – 115 V |
| 33 | 4033071 | 1 | 3 Amp Circuit Breaker |
| 34 | 4003064 | 1 | Transformer Cover |
| 35 | 4208462-004 | 1 | Power Cord – 230 V |
| | 4202512-005 | 1 | Power Cord – 220 V, 230 V, 240 V |
| | 4033631-006 | 1 | Power Cord – 115 V |
| 36 | 4033683 | 1 | Bushing – Strain Relief |
| 37 | 4050240 | 1 | 8-32x3/8 Phillips PH MS |
| 38 | 4050513 | 1 | 8-32 Twin Whiz Lock Nut |
| 39 | 4200057 | 1 | Delivery Drawer Label |
| 40 | 4200642 | 1 | Lock Tab Replacement |
| 41 | 8370959-3 | 1 | Locking Clamp 3/4” – Self Adhesive |
| 42 | 4208272 | 1 | Power Harness – 24 V |
| 43 | 4060702 | 1 | Tray Pivot |
| 44 | 7200102-000 | 1 | Coin Return Flap |

CABINET TOP ASSEMBLY

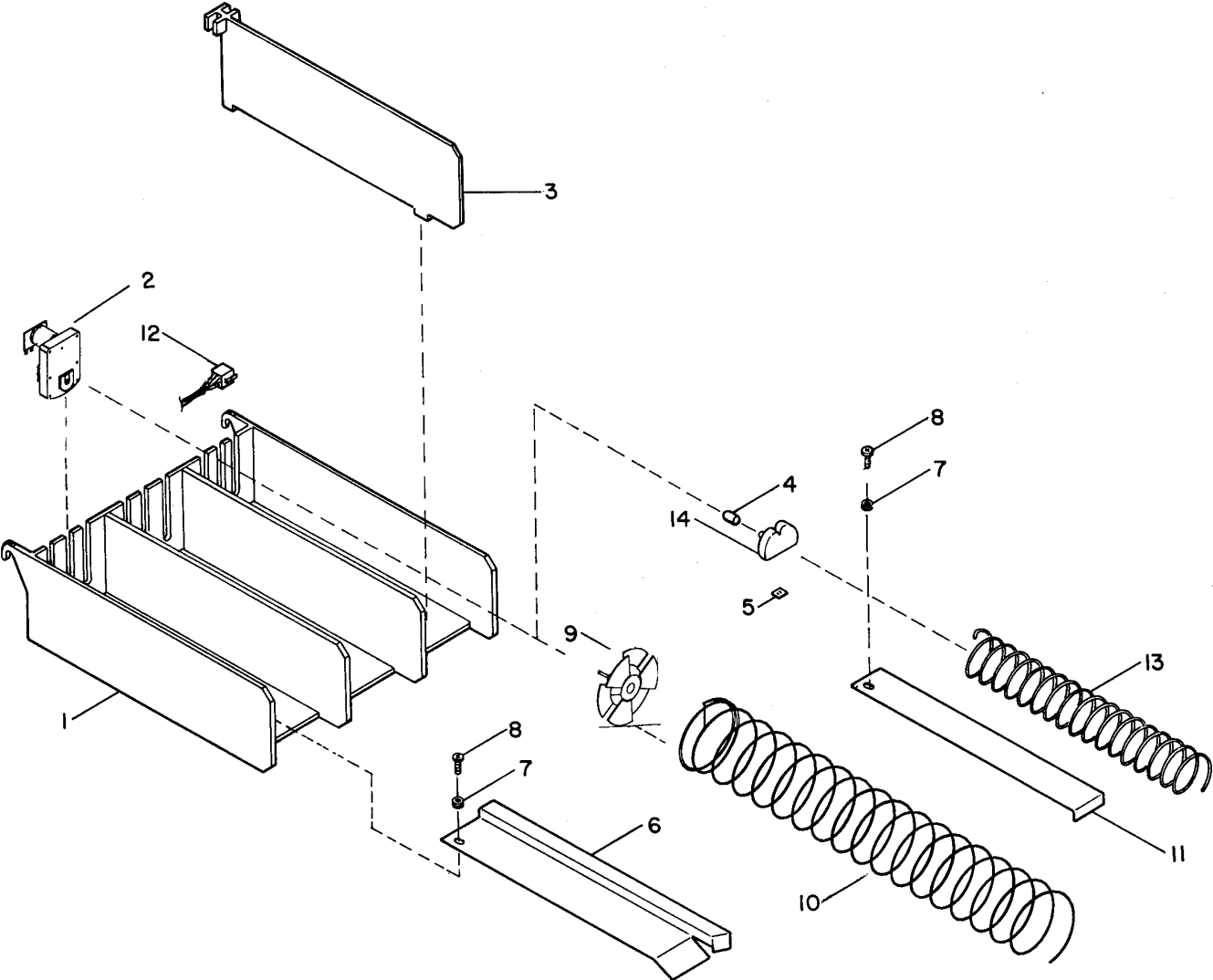


A10421

CABINET TOP ASSEMBLY

| ITEM | PART NUMBER | QTY | DESCRIPTION |
|------|-------------|-----|--|
| 1 | 4025790-001 | 1 | Cabinet Top |
| 2 | 4025793 | 1 | Coin Return Plunger |
| 3 | 4025791 | 1 | Coin Return Plunger Holder |
| 4 | 4060708 | 1 | Spring Clip (Attaching Part for Item 3) |
| 5 | 4025792 | 1 | Plunger End |
| 6 | 4060705 | 1 | Lock Bar |
| 7 | 4200168 | 1 | Lock Bar Holder |
| 8 | 8800636 | 5 | 8-18x1/2 Phillips PH Type B (Attaching Part for Items 6, 7, 19 and 24) |
| 9 | 4200181 | 1 | Top Window Retainer |
| 10 | 4202731 | 1 | Spring – Lock Bar |
| 11 | 4200312 | 5 | 6-20x5/16 Hex Washer Hd SMS (Attaching Part for Item 9) |
| 12 | 4205750 | 1 | Selector Bezel |
| 13 | 4208251 | 1 | Keypad |
| 14 | 4208255 | 1 | Keypad Plate |
| 15 | 4208370 | 1 | Coin Insert |
| 16 | 4208253 | 1 | Label – Operating Instructions |
| 17 | 4205763 | 1 | Control Board |
| 18 | 4050747 | 4 | ¼ Stamped Hex Nut (Attaching Part for Item 12) |
| 19 | 4060116 | 1 | Plastic Wire Clamp 3/8” |
| 20 | 1214360 | 1 | Coin Chute Weld Assembly |
| 21 | 4200088 | 1 | Push On Nut |
| 22 | 4200171 | 1 | Top Prop |
| 23 | 4050423 | 4 | 8-18x3/8 Phillips PH Type AB (Attaching Part for Item 20) |
| 24 | 8324099-6 | 1 | Clamp – 3/8 x ½ |
| 25 | 4208625 | 1 | Board Guide |
| 26 | 4208256 | 1 | Main Harness |
| 27 | 8800631 | 5 | 6-20x1/2 Phillips PH Type B (Attaching Part for Items 7 and 25) |
| 28 | 4025795 | 1 | Window |
| 29 | 4033704 | 1 | Cable Tie |
| 30 | 4208254 | 1 | Service Mode Label |

TRAY ASSEMBLY



TRAY ASSEMBLY

| ITEM | PART NUMBER | DESCRIPTION | 3-SELECT QTY | 6-SELECT QTY |
|------|-------------|---|-----------------|-----------------|
| | 1214402-001 | 3 Select Tray Assembly | 1 | |
| | 1214402-002 | 6 Select Tray Assembly | | 1 |
| 1 | 4025780-001 | Black Tray | 1 | 1 |
| 2 | 4203432-002 | 24 VDC Motor – 360 Degree | 3 | 6 |
| 3 | 4025778-001 | Tray Divider | | 3 |
| 4 | 4050548-002 | Long Black Screw Cover | 3 | 6 |
| 5 | 8337564 | .125 Dia. Stud Push Nut | | 6 |
| 6 | 4003079-000 | Adjustable Shelf | 3 | |
| 7 | 4033967 | Rubber Grommet | 3 | 6 |
| 8 | 8800636 | 8-18x1/2 Phillips PH Type B | 3 | 6 |
| 9 | 4202015 | Auger Coupling | 3 | |
| 10 | 4200272-030 | Auger – 8 Select | 3 | |
| 11 | 4003078 | Adjustable Shelf | | 6 |
| 12 | 4208257 | Tray Harness | 1 | 1 |
| 13 | 4200273-002 | Auger – 2-1/4” 11 Select (Use with Item 14) | | 3 |
| | 4060703-001 | Auger – 2-1/4” 14 Select (Use with Item 14) | | 3 |
| 14 | 4025771 | Small Auger Adapter | | 6 |